

Datasheet

Excel Life™

Secondary push-button

CAT. NO: 450SMWE, 450SMBL, 450SMBLMS, 450SMWEMS, 450SMENGWE



A brand of legrand®



Cat. No	450SMWE	450SMBL	450SMBLMS	450SMWEMS	450SMENGWE
Colour	White (WE)	Black (BL)	Black/Matt Silver	White/Matt Silver	White
Description	Secondary Push Button				
Nominal Input Voltage	230-240 V a.c. 50 Hz				
Dimensions (W x H x D)	21 x 21 x 35 mm				

Excel Life™ Secondary push-button

CAT. NO: 450SMWE, 450SMBL, 450SMBLMS, 450SMWEMS, 450SMENGWE

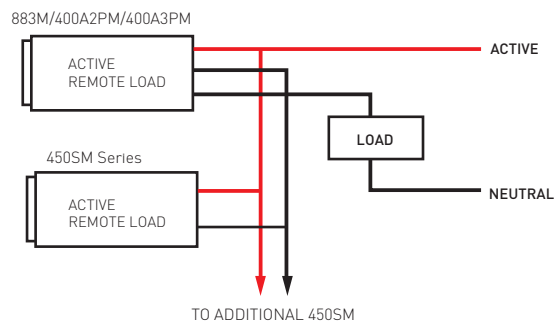


A brand of **legrand®**



FEATURES

- Soft touch operation.



Single Product (Qty 1)	
Cat. No.	Barcode
450SMWE	9321001377153
450SMBL	9321001378969
450SMBLMS	9321001378983
450SMWEMS	9321001377184
450SMENGWE	9321001442707

Inner Box (Qty 20)	
Cat. No.	Barcode
450SMWE	9321001377160
450SMBL	9321001378976
450SMBLMS	9321001378990
450SMWEMS	9321001377191
Inner Box (Qty 10)	
450SMENGWE	9321001443452

Legrand - Australia
1300 369 777
www.hpm.com.au
ABN 31 000 102 661

Legrand - New Zealand
0800 476 009
www.hpm.co.nz

Refer to your group buying office, Legrand Sales Representative or Legrand Sales Office for pricing.

Please note: specifications are subjected to change without prior notice.



LE13299AA

09 / 2021