

3.5" Colour handsfree internal unit

321060

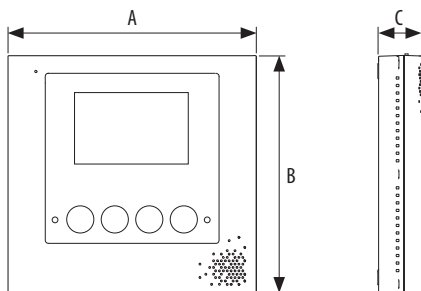
Description

D45 System entry level colour handsfree internal unit with 3.5" LCD backlit display. Complete door entry functions. Direct call to switchboard function. 12 ring tones selectable for different call types. Surge protection. Wall mount installation.

Technical data

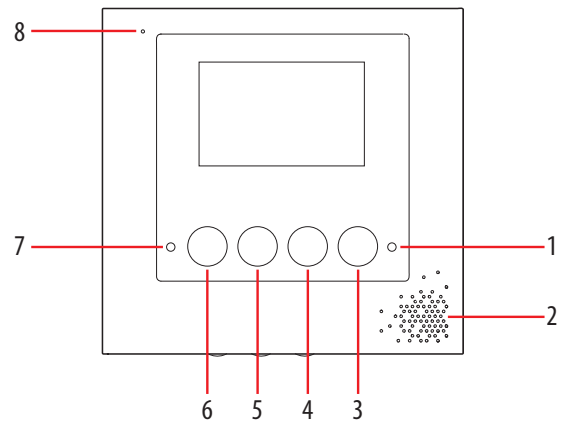
Power supply:	30 Vdc
Stand by absorption:	≤ 15 mA @ 30 V
Max. operating absorption:	≤ 85 mA @ 30 V
Operating temperature:	(-10) – (+40) °C
LCD display resolution:	320 x 240

Dimensional data

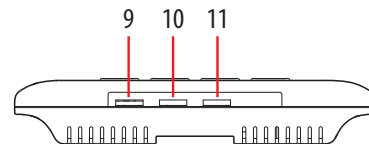


A (mm)	B (mm)	C (mm)
165	158	29

Front view



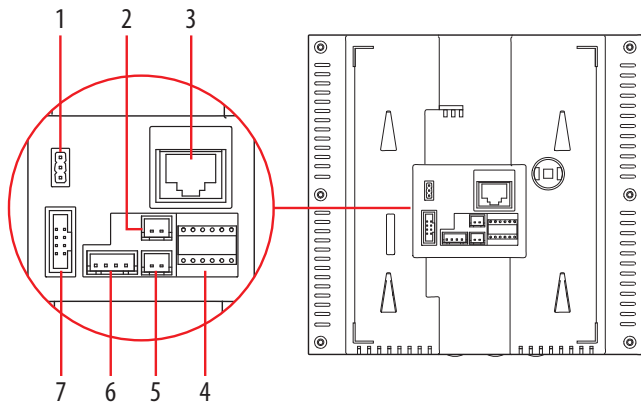
Lower view



Legend

1. Connection status LED
2. Loudspeaker
3. Door lock activation key
4. Monitoring key
5. Call to the switchboard key
6. Audio connection activation/deactivation key
7. Information status LED
8. Microphone
9. Ring volume control knob
10. Display brightness regulation knob
11. Display colour regulation knob

Rear view



Legend

- 1. MASTER / SLAVE selection jumper
- 2. SOS alarm connector
- 3. RJ45 System BUS connector
- 4. Configurators housing
- 5. Door lock device connector
- 6. Analogue small entrance panel connector
- 7. Serial interface connector

Configuration

Device MUST be configured for following parameters:

⊙	⊙	⊙	⊙	⊙	⊙
F	F	I	I	#I	#I
⊙	⊙	⊙	⊙	⊙	⊙

FF: Floor number
 II : Apartment number
 #II: Maximum apartments quantity per floor in a riser

Two different configuration modes available for whole system:

configuration **MODE 1** and configuration **MODE 2**. The main characteristics for each configuration mode are listed below.

When the biggest number of #FF in whole system is ≤ 20, and the biggest number of #II is ≤ 4, and the total risers number is ≤ 50, we recommend to choose (**MODE 1**) configuration for system.

When the biggest number of #FF in whole system is more than 20, or the biggest number of #II is more than 4, we suggest to use (**MODE 2**) configuration to setup #FF (choose the biggest number #FF of system) and #II (choose the biggest number #II of system), then calculate total IU number of system. If the total number (#FF * #II * R) is less or equal 4000, use of (**MODE 2**) is suggested.

POSITION	MODE 1	MODE 2
F	FF	FF
F		
I	II	II
I		
#I	Default for #II is 04, need not connect the configurator	II (#II setup using same value for all system handsets)
#I		

Configuration

Two different device configuration ways available:

Configuration settings by device keyboard - WAY 1

Configuration settings by inserting physical configurators - WAY 2

Configuration settings by device keyboard - WAY 1:

When the handset is in standby mode, press and maintain the door lock key until a long tone is heard. With information & connection status LEDs OFF you are in settings mode. Then within 10 seconds, press and maintain the call to the switchboard key until a long tone is heard to enter into the initial installation settings (you can set parameters without selecting submenus).

SETTING FOR THE ROOM NUMBER OF THE INDOOR UNIT

FUNCTION	OPERATION	REMARK
Access to the room code to set the submenu	At initial setting status, short-press on the connection key once and enter into the room code of the indoor unit to set the submenu. Note: on entering into the room code of the indoor unit to set the submenu, the initialized place should be of the thousand-digit.	
Set the parameter	Press on the monitoring key and add 1 to the parameter of the relevant setting place. On adding to 10, three short tones can be heard, meaning the wrong operation, and it automatically exit the submenu and return to the initial installation status	
Set the displacement place and exit the setting of the submenu	Short-press on the door lock key to move to the next setting place, with the sequence of the thousands, the hundreds, the tens and the ones places. Note: 1) In the process to set the displacement place, if the parameter is not set, then take the default value at 0. 2) When the place moves to the ones, short-press on the door lock key again to exit the setting of the room number and return to the setting status of the initial installation. At the exit, if the setting of the room number of the indoor unit is correct, a long tone can be heard as a prompt. You can save it. If not correct, three short tones will be heard, and no need to save it.	The room number can be set in a range from 101 to 9999. The ex-factory default number is 101. The last two digits after the 101 room code are not to be bigger than the household number of each floor.
Exit	1) Short-press on the Door lock key and move to the last digit. Then short-press on the Door lock key again to exit the room code of the indoor unit and setting of the submenu to return to the setting status of the initial installation. 2) With a wrong operation, three short tones can be heard and it will automatically return to the setting status of the initial installation.	

SET MAXIMUM APARTMENTS QUANTITY PER FLOOR IN A RISER

FUNCTION	OPERATION	REMARK
Enter into the submenu to set the household number of each floor	At the setting status of the initial installation, short-press the Call to the switchboard key twice to enter into the submenu and set the household number of each floor. Note: On setting the submenu, the initialized place should be set at the tens place.	
Set the parameter	Short-press the MONITOR key and add 1 to the parameter of the relevant setting place. On adding to 10, three short tones can be heard, meaning the wrong operation, and it automatically exit the submenu and return to the setting status of the initial installation.	
Set the displacement place and exit the setting of the submenu	Short-press the Door lock key to move to the next place, which is the ones place. Short-press the Door lock key and move to the next place, the sequence of which is the tens place to the ones place. Exit the current setting options and return to the setting status of the initial installation. After the displacement, the parameter of the displacement place can be set as 0. Before exit, check whether the parameter is correctly set. If correct, one long tone can be heard and save it. If not, three short tones can be heard, no need to save it.	The household number cannot be less than the room numbers, ranging from 1 to 99, and the ex-factory default value is 4.
Exit	1) Short-press the Door lock key twice and move to the last digit. Then short-press Door lock key again to exit the current setting options of the submenu and return to the setting status of the initial installation. 2) With a wrong operation, three short tones can be heard and it will automatically return to the setting status of the initial installation.	

ConfigurationFROM PREVIOUS PAGE → **Configuration settings by device keyboard - WAY 1:****SET THE EXTERNAL SOS CONTACT TYPE**

FUNCTION	OPERATION
Select the setting submenu of the external SOS contact type to set the submenu	At initial settings status, short-press on the call to the switchboard key five times and enter into the setting submenu for the external SOS contact type. Read the current setting parameter. If it's NO type , the parameter is 0 and the message LED ON. If it's NC type , the parameter is 0 and the message LED OFF.
Set the parameter	Press on the MONITOR key , and add 1 to the parameter. On adding to 2, it will automatically turn to 0. With the parameter being 1, SOS is the NO type and the message LED ON; with the parameter being 0, if SOS is the NC type and the message LED will be OFF. In the setting process, the parameter will be automatically saved.
Exit	1) Short-press the door lock key , exit the setting options of the current submenu, and return to the setting status of the initial installation. 2) With a wrong operation, three short tones can be heard and it will automatically return to the setting status of the initial installation.

SET THE FUNCTION FOR ENTRANCE PANEL MONITORING

FUNCTION	OPERATION	REMARK
Select the setting submenu to monitor the functions of the entrance panel	At initial setting status, short-press on the call to the switchboard key seven times to enter into the setting submenu to monitor the functions of the entrance panel and read the current setting parameter. If it is Enabled, the parameter will be 1 and the message LED will be ON; if Shielding, the parameter will be 0 and the message LED OFF.	Ex-factory default: disabled
Set the parameter	Press on the MONITOR key and add 1 to the parameter. On adding 2, the parameter will automatically turn to 0. With the parameter being 1, the indoor unit can monitor the entrance panel and the message LED will be ON. With the parameter being 0, the indoor unit can't monitor the entrance panel and the message LED will be OFF. In the setting process, the parameter will be automatically saved.	
Exit	1) Short-press the door lock key , exit the setting options of the current submenu, and return to the setting status of the initial installation. 2) With a wrong operation, three short tones can be heard and it will automatically return to the setting status of the initial installation.	

RECOVER ALL THE DEFAULTED PARAMETERS

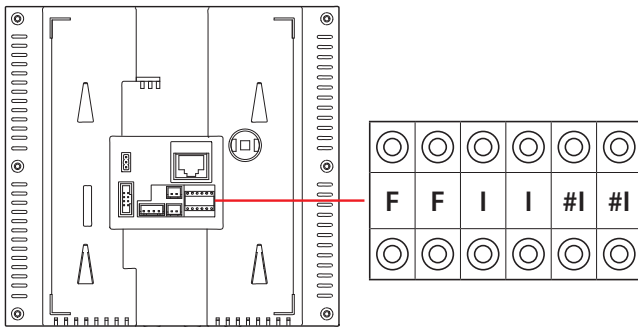
FUNCTION	OPERATION	REMARK
Select the setting submenu to recover all the defaulted parameters.	At initial settings status, short-press the call to the switchboard key nine times to enter into the setting submenu to recover all the defaulted parameters and read the current setting parameter. If it is Enabled, the parameter will be 1 to recover all the defaulted parameters and the message LED will be ON; if disabled, the parameter will be 0, not to recover all the defaulted parameters and the message LED will be OFF.	Ex-factory default: disabled
Set the parameter	Press on the MONITOR key and add 1 to the parameter. On adding to 2, the parameter will automatically turn to 0. With the parameter being 1, the indoor unit can monitor the entrance panel and the message LED will be ON. With the parameter being 0, the indoor unit can't monitor the entrance panel and the message LED will be OFF. In the setting process, the parameter will be automatically saved.	
Exit	1) Short-press the door lock key , exit the setting options of the current submenu, and return to the setting status of the initial installation. 2) With a wrong operation, three short tones can be heard and it will automatically return to the setting status of the initial installation.	

Exit the installation setting

Long-press the **door lock key**. When a long tone is heard, release your hand to exit the setting status; on entering into the setting status, you won't need to operate any key. Within 10 seconds, it will automatically exit the setting status.

Configuration

Configuration settings by device keyboard - WAY 2:



FF: Floor number
 II : Apartment number
 #II: Maximum apartments quantity per floor in a riser

Configuration examples :

Example (A) :

The number of handsets is 1204, each floor has 4 handsets, the system configuration mode is **MODE 1**, the handset configuration should be as follows:

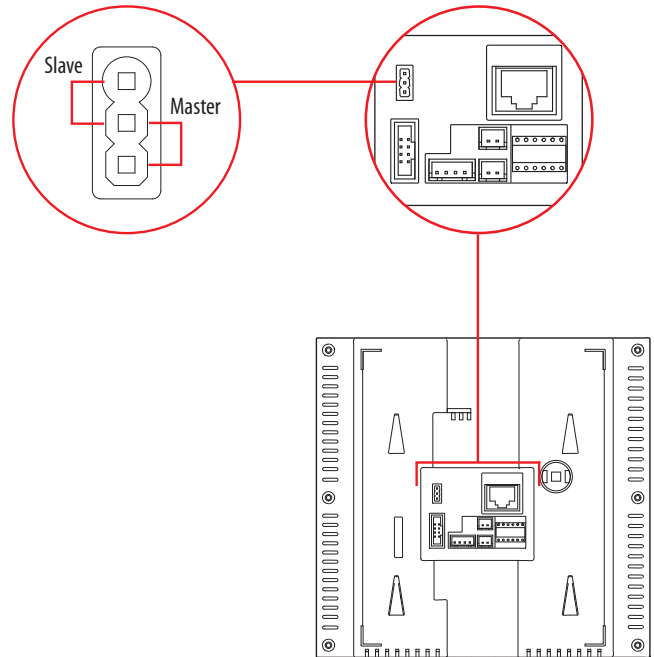
POSITION	CONFIGURATION VALUE	REMARKS
F	1	
F	2	
I	0	It is ok not to insert configurator 0
I	4	
#I		Because the default value of #II is 4, no configurator is needed
#I		

Example (B) :

The number of handsets is 1206, each floor has 8 handsets. System configuration **MODE 2** is used. The handset configuration should be as follows :

POSITION	VALUE	REMARKS
F	1	
F	2	
I	0	It is ok not to insert configurator 0
I	6	
#I	0	It is ok not to insert configurator 0
#I	8	

MASTER and SLAVE settings



SET THE MASTER AND SLAVE HANDSETS	METHODS
Set as the master handset	
Set as the slave handset	Or not jump