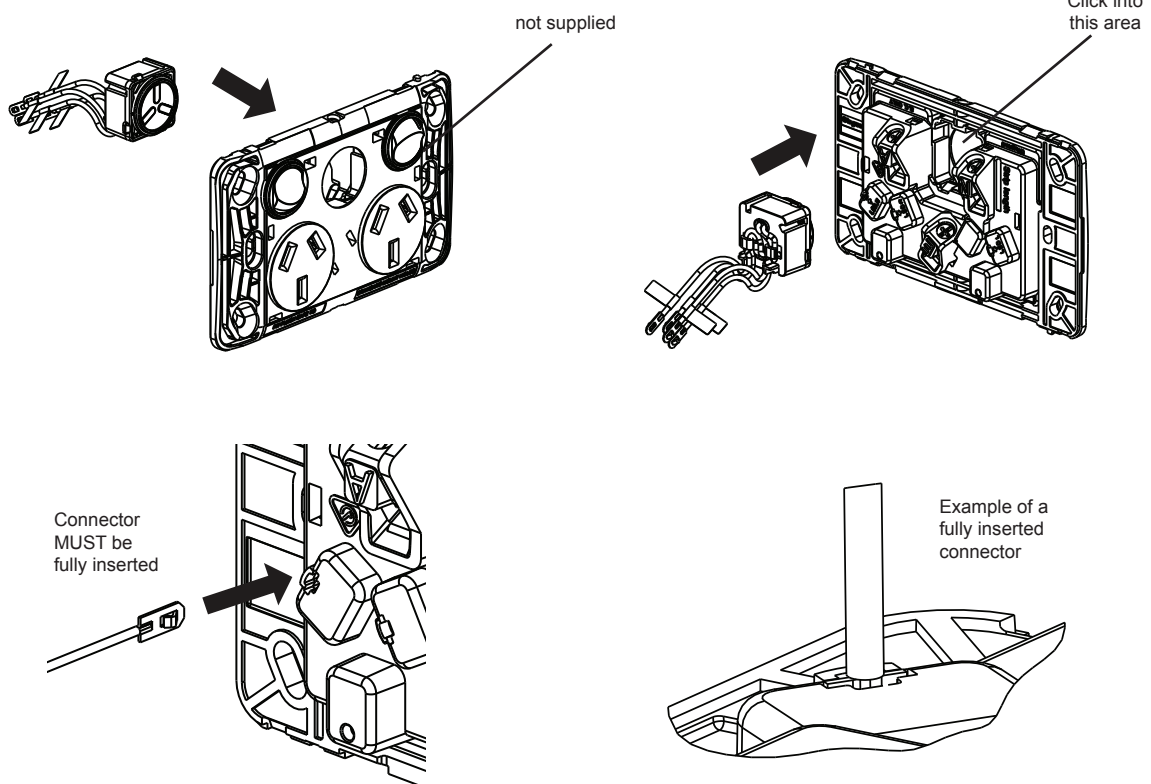


Features

- Voltage: 240V~
- Frequency: 50Hz
- Current: 1.2mA per indicator
- Operating temperature: -5°C to +50°C
- Storage temperature: -10°C to +70°C
- Resistant to the following agents: Hexane, methylated spirits, soapy water, diluted ammonia, diluted pure bleach (10%), glass cleaning substance, pre-impregnated wipes, diluted hydrogen peroxide
- Not resistant to the following agents: Acetone, tar remover, trichloroethylene

Installation

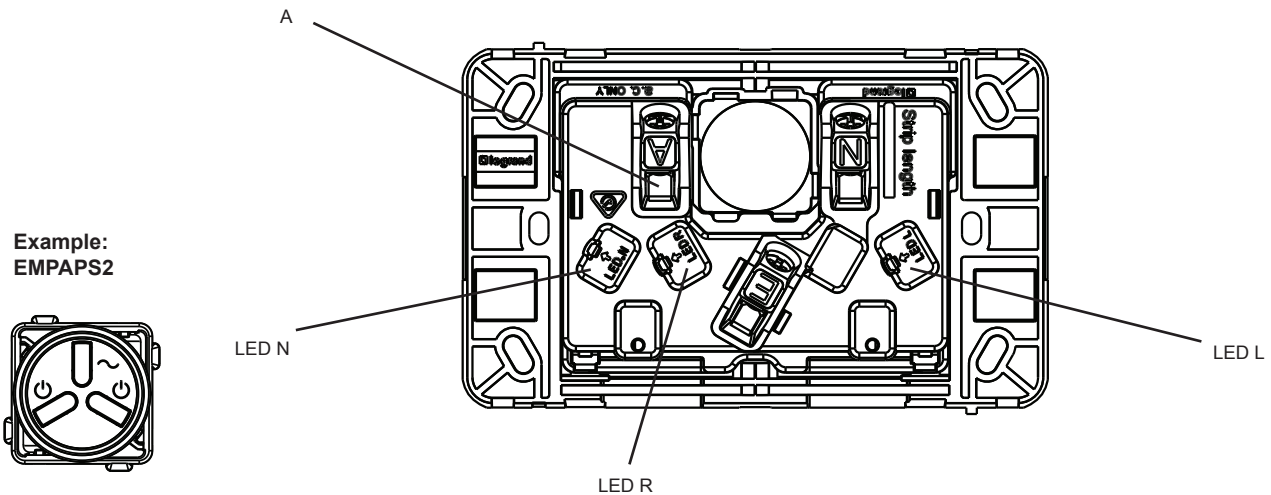


Wiring

Wire/lead marking	EMPAPS2	EMPAPS1	EMPA	EMPS2	EMPS1	EM803LED (power available)++	EM803LED (power supplied)	EM803LED (power available without neutral)**
LED N	Neutral	Neutral	Neutral	Neutral	Neutral	Neutral	Neutral	Switched active
LED L	Switched Active (LHS)			Switched Active (LHS)				
LED R	Switched Active (RHS)			Switched Active (RHS)				
LED		Switched active			Switched active			
A	Active	Active	Active			Active	Switched active	Active

++ = In this mode the LED indicator will be ON whenever there is power available to the product.

** = In this mode the LED indicator will only be ON whenever the associated switch/socket is OFF.
The current required to light the indicator when the switch is ON will be bled through the load.



'~' = Power available
'⏻' = Power supplied

Important:

This product must be installed by a licensed electrician.

Warranty

Legrand Indicator Kit Series is warranted as here and after appears, against faulty material and/or workmanship for a period of one year from the day of purchase. The obligation of the manufacturer under this warranty is limited to servicing and replacing defective parts when the unit is returned to the authorised place of purchase, at the purchaser's cost. To obtain warranty repair, the purchase receipt should be returned with the product. This warranty becomes void on any unit which has been tampered with or damaged by accident, short circuited, loaded beyond rating or damaged otherwise by improper operation. The warranty is also conditional on the unit being installed by a licensed electrical contractor. Our goods come with guarantees that cannot be excluded under the Australian Consumer Law. You are entitled to a replacement or refund for a major failure and compensation for any other loss or damage. You are also entitled to have the goods repaired or replaced if the goods fail to be of acceptable quality and the failure does not amount to a major failure.

Customer Service

For all Customer Service and Technical Support please call Monday to Friday during business hours.

HPM Legrand Australia
1300 369 777
www.hpmlegrand.com.au

HPM Legrand New Zealand
0800 476 009
www.hpmlegrand.co.nz

ABN: 31 000 102 661