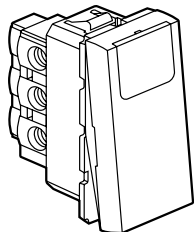
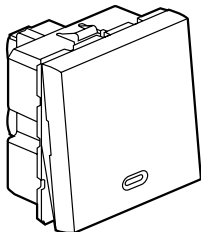


## Arteor™ 6 A Push-buttons with indicator

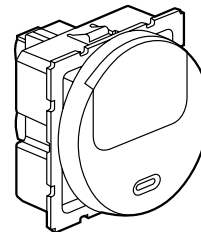
Cat. No(s).: 572 002/003/032/033/502/503/532/533  
573 052/053/152/153



572 003/503



572 032/532

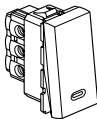
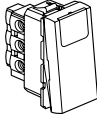
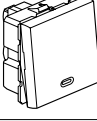
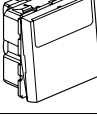
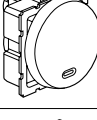
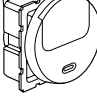


573 053/153

### 1. USE

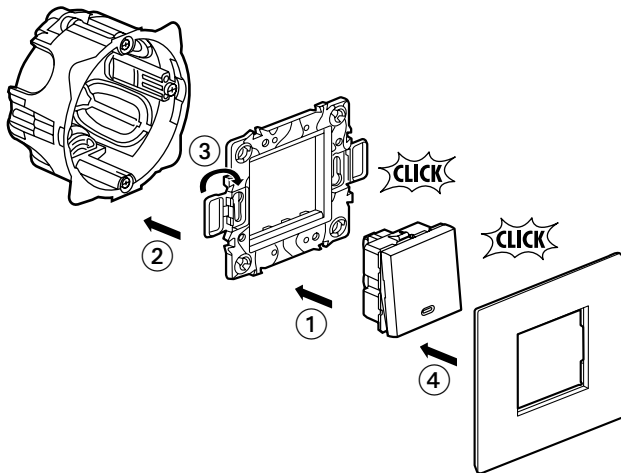
General lighting control mechanisms with signalling elements (indicator light or label holder).

### 2. RANGE

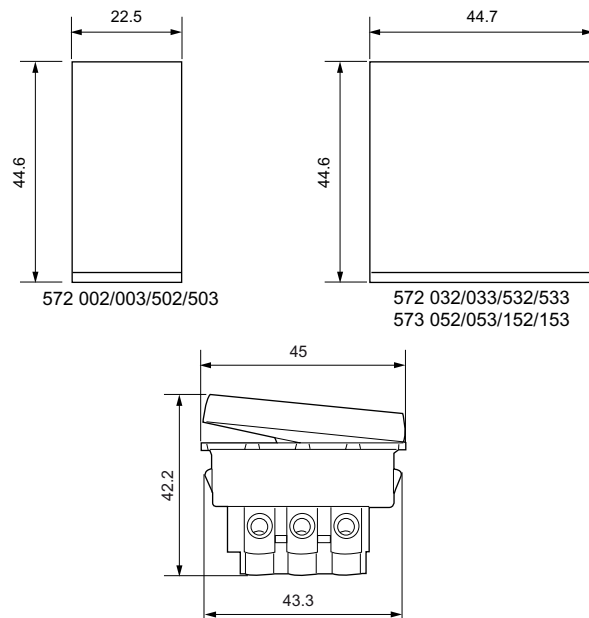
	Designation	Finishes.		Number of modules	Connection method	Weight (g)	Characteristics
		White	Magnesium				
	Two-way push-button with indicator (square)	572 002	572 502	1	with screws	24.7	6 A - 250 VAC
	Two-way push-button with label holder (square)	572 003	572 503	1	with screws	23.9	6 A - 250 VAC
	Two-way push-button with indicator (square)	572 032	572 532	2	with screws	32.8	6 A - 250 VAC
	Two-way push-button with label holder (square)	572 033	572 533	2	with screws	32.2	6 A - 250 VAC
	Two-way push-button with indicator (round)	573 052	573 152	2	with screws	31.4	6 A - 250 VAC
	Two-way push-button with label holder and indicator (round)	573 053	573 153	2	with screws	30.6	6 A - 250 VAC

### 3. PREPARATION

The mechanisms can be flush-mounted or surface-mounted.



### 4. OVERALL DIMENSIONS



### 5. CONNECTION

Terminal: with screws  
Capacity: 2 x 2.5 mm<sup>2</sup> or 1 x 4 mm<sup>2</sup>  
Stripping: 10 mm  
Screwdriver: 4 mm flat-blade up to 5.5 mm

### 6. OPERATION

Push-button mechanism with integrated locator or label holder.

### 7. TECHNICAL CHARACTERISTICS

#### 7.1 Mechanical characteristics

Impact tests: IK 04  
Protection by solid bodies/liquids: IP 40 (mounted)  
IP 20 (alone)

#### 7.2 Material characteristics

Rocker: Polycarbonate  
Base: Polycarbonate  
Basket: Polypropylene

#### 7.3 Electrical characteristics

Voltage: 250 VAC  
Current: 6 A  
Consumption of the indicator light: 0.95 mA  
Self-extinguishing: 650° C / 30 s

#### 7.4 Climatic characteristics

Storage temperatures: - 10° C to + 70° C  
Operating temperatures: - 5° C to + 50° C

### 8. CLEANING

Surface cleaning with a cloth.  
Do not use: acetone, tar remover, trichloroethylene.  
Resistance to the following cleaning agents: Hexane (EN 60669-1), Methylated spirits, Soapy water, Diluted ammonia, Diluted pure bleach 10%, Glass cleaning substance, Pre-impregnated wipes.

**Caution:** A preliminary test should be carried out if other specific cleaning products are to be used.

### 9. CONFORMITY AND APPROVALS

Approvals in process:

	IECEE	SABS	PAI	PSB	SONCAP	KEN
572 002 / 572 502	x	x	x			
572 003 / 572 503	x	x	x			
572 032 / 572 532	x			x	x	x
572 033 / 572 533	x	x				
573 052 / 573 152	x					
573 053 / 573 153	x	x				