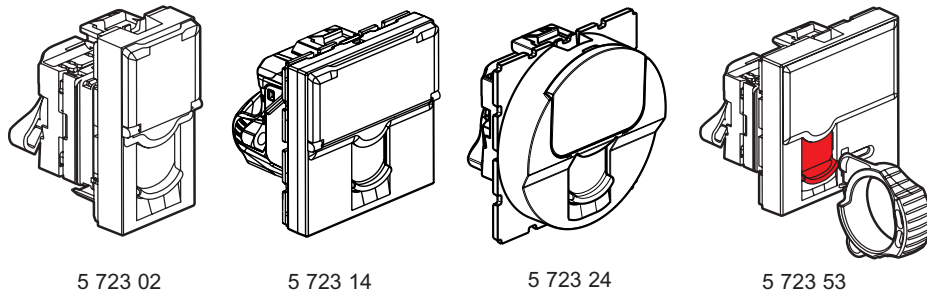


Arteor™
LCS² Cat. 6 RJ 45 socket

Cat. no(s) : 5 723 02/14/16/17/22/23/24/53/54/55
5 728 02/14/16/17/22/23/24/53/54/55
5 734 28/34/74/76/77
5 736 28/34/74/76/77



CONTENTS

Page

1. General characteristics 1
2. Presentation 1
3. Real life scenarios 2
4. Technical characteristics 2
5. Connection 2
6. Overall dimensions 2-3
7. Usual connection of RJ 45 sockets ... 3
8. Standards and approvals 3
9. Performance 4-5

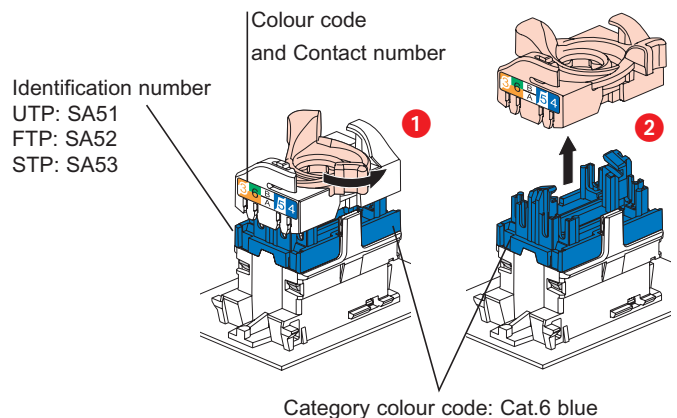
1. GENERAL CHARACTERISTICS

Category 6 RJ 45 socket for high speed transmission (Gigabit Ethernet).

	Désignation	Number of modules	UTP	FTP	STP
	RJ 45 socket Cat. 6 UTP white	1	5 723 02 5 734 28		
	RJ 45 socket Cat. 6 UTP magnesium	1	5 728 02 5 736 28		
	RJ 45 socket Cat.6 UTP magnesium green cover	1	5 728 55		
	RJ 45 socket Cat.6 UTP magnesium orange cover	1	5 728 54		
	RJ 45 socket Cat.6 UTP white green cover	1	5 723 55		
	RJ 45 socket Cat.6 UTP white orange cover	1	5 723 54		
	RJ 45 socket Cat.6 FTP white	1		5 723 22	
	RJ 45 socket Cat. 6 FTP magnesium	1		5 728 22	
	Prise RJ 45 Cat. 6 STP blanc	1			5 723 23 5 734 34
	RJ 45 socket Cat. 6 STP magnesium	1			5 728 23 5 736 34
	RJ 45 socket Cat. 6 UTP white	2	5 723 14 5 734 74		
	RJ 45 socket Cat. 6 UTP magnesium	2	5 728 14 5 736 24		
	RJ 45 socket Cat.6 FTP white	2		5 723 16 5 734 76	
	RJ 45 socket Cat.6 FTP magnesium	2		5 728 16 5 736 76	

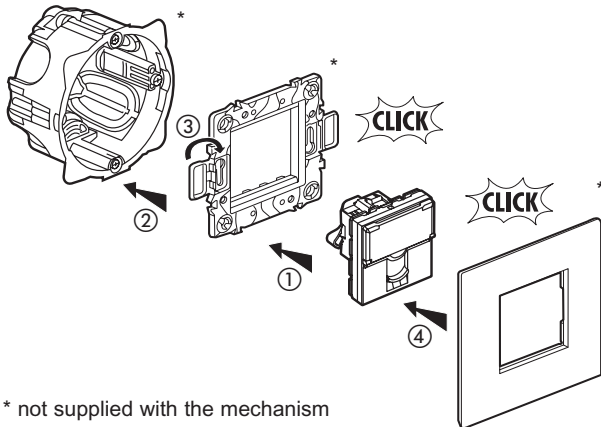
	Désignation	Nombre de modules	UTP	FTP	STP
	RJ 45 socket Cat.6 STP white	2			5 723 17 5 734 77
	RJ 45 socket Cat.6 STP magnesium	2			5 728 17 5 736 77
	RJ 45 safety socket Cat. 6 UTP white	2	5 723 53		
	RJ 45 safety socket Cat. 6 UTP magnesium	2	5 728 53		
	RJ 45 socket round Cat. 6 UTP white	2	5 723 24		
	RJ 45 socket round Cat. 6 UTP magnesium	2	5 728 24		

2. PRESENTATION



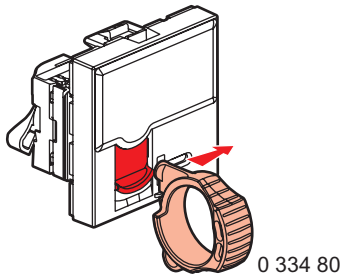
3. REAL LIFE SCENARIOS

Mechanisms can be flush-mounted or surface-mounted.



* not supplied with the mechanism

Unlocking



4. TECHNICAL CHARACTERISTICS

4.1 Material characteristics

Contacts: gold/nickel, minimum thickness of gold > 0.8 µm
 Metal parts: bronze, nickel, platinum, gold
 PBT polycarbonate
 For STP products the body and the spreader are made of metal alloy with a copper-nickel coating.

4.2 Electrical characteristics

Breakdown voltage ≥ 1000 V
 Contact resistance ≤ 20 mΩ
 Insulation resistance ≥ 500 MΩ at 100 V DC
 Connector tested and guaranteed under PoE restrictions, IEEE 802.3af standard and PoE+, draft standard 802.3at, up to 2500 on-load connections / disconnections.

Tests are carried out with 2 simultaneous PoE+ circuits for a minimum total power of 50 W.

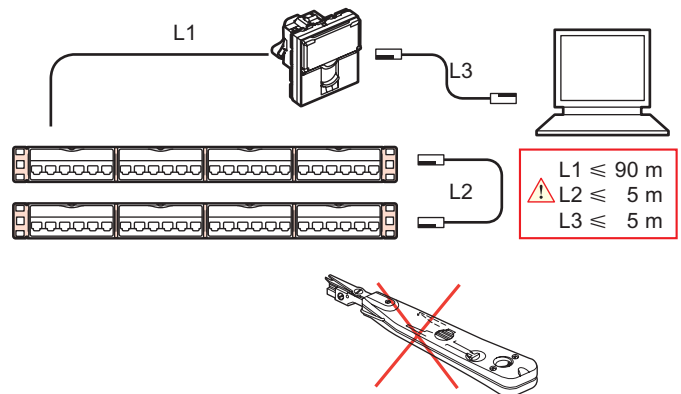
4.3 Mechanical characteristics

Max. number of connections and disconnections: 5 without refreshing the wiring.
 Endurance: 2500 movements (plug insertion/withdrawal).
 IK03

4.4 Climatic characteristics

Températures d'utilisation : - 40° C to + 70° C
 Humid heat cycle 21 days

5. CONNECTION

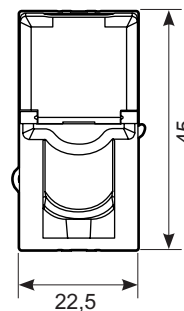
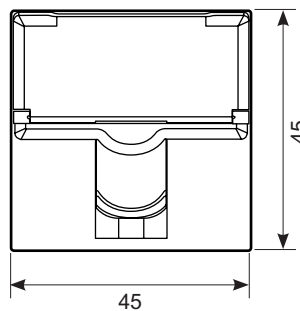


6. OVERALL DIMENSIONS

Front view:

5 723 14 - 5 723 53 - 5 728 53
 5 728 14 - 5 734 74 - 5 736 74 - 5 723 16
 5 728 16 - 5 734 76 - 5 736 76 - 5 723 17
 5 728 17 - 5 734 77 - 5 736 77

5 723 02 - 5 728 02 - 5 734 28 - 5 736 28
 5 728 54/55 - 5 723 22 - 5 728 22
 5 723 23 - 5 728 23 - 5 734 34 - 5 736 34
 5 723 54/55

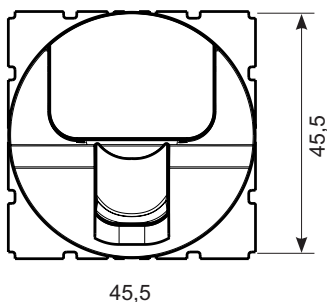


Arteor™ LCS² Cat. 6 RJ 45 socket

Cat. no(s) :
 5 723 02/14/16/17/22/23/24/53/54/55
 5 728 02/14/16/17/22/23/24/53/54/55
 5 734 28/34/74/76/77
 5 736 28/34/74/76/77

6. OVERALL DIMENSIONS (cont.)

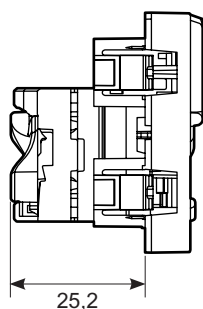
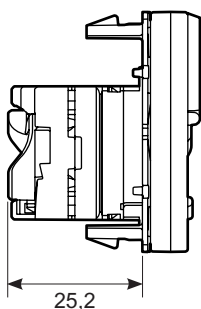
5 723 24 - 5 728 24



Side view:

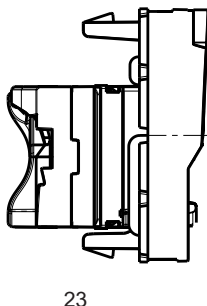
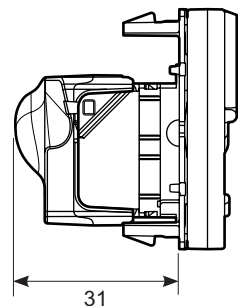
5 723 22 - 5 728 22 - 5 723 23 - 5 728 23
 5 734 34 - 5 736 34

5 723 02 - 5 728 02 - 5 734 28 - 5 736 28
 5 728 54/55 - 5 723 14 - 5 723 53
 5 728 53 - 5 728 14 - 5 734 74 - 5 736 74
 5 723 16 - 5 728 16 - 5 734 76 - 5 736 76
 5 723 54/55



5 723 23 - 5 728 23 - 5 734 34 - 5 736 34
 5 723 17 - 5 728 17 - 5 734 77 - 5 736 77

5 723 24 - 5 728 24

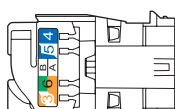
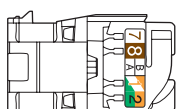
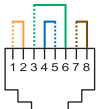
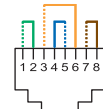


7. USUAL CONNECTION OF RJ 45

Accepts the following cable connectors:
 RJ11 (4 contacts), RJ12 (6 contacts), RJ45 (9 contacts).

Double colour code EIA - TIA 568 A and B on terminals:

- UTP 8 contacts
- FTP 9 contacts
- STP 9 contacts 360° screen



EIA 568 A

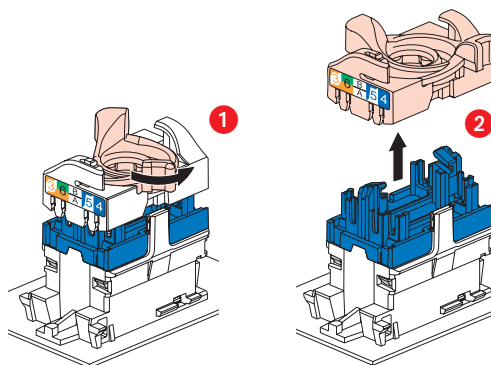
EIA 568 B

Conductors supported:

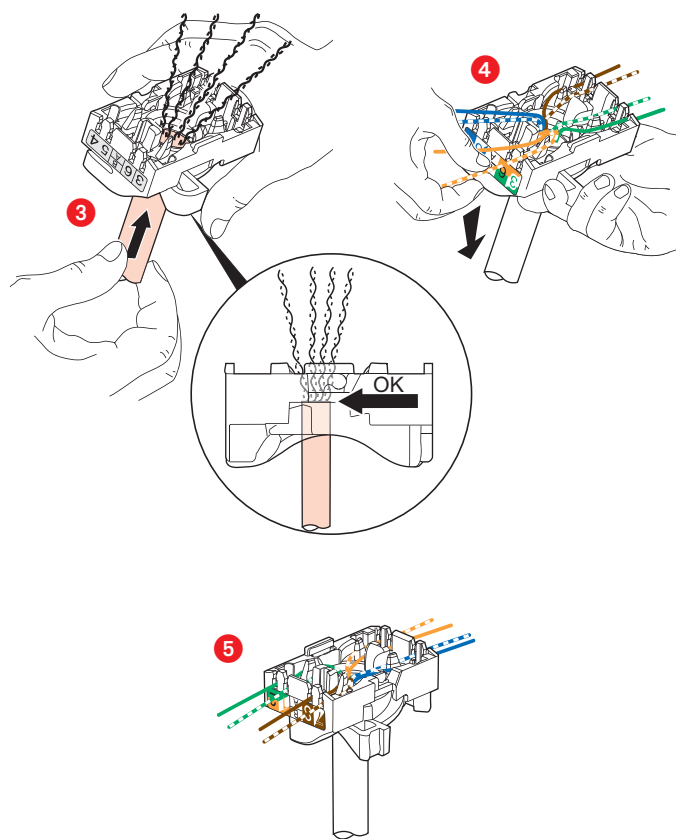
- Single-wire: 0.5 to 0.65 mm, AWG 22 to 25
- Multiple-wire: AWG 26
- Polyethylene conductor insulation: max Ø with insulation 1.58 mm

7. USUAL CONNECTION OF RJ 45 (cont.)

RJ 45 connectors are equipped with a locking nut that does not require the use of a specific tool and which enables re-cabling in the event of error.



This system allows the wire pairs to be spread easily before mounting them on the connector.



Spreading cables ensures that each pair is separated by the specified 13 mm.

Spreading pairs by 90° in relation to the cable ensures optimum performance.

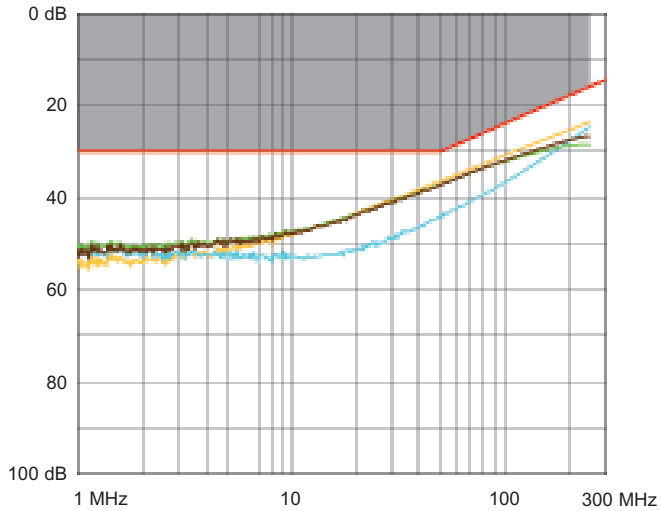
8. STANDARDS AND APPROVALS

Compliant with standards: ISO/IEC 11801 Edition 2
 CENELEC EN 50173-1 2007
 ANSI/EIA/TIA 568-C.2
 IEC series 60603-7

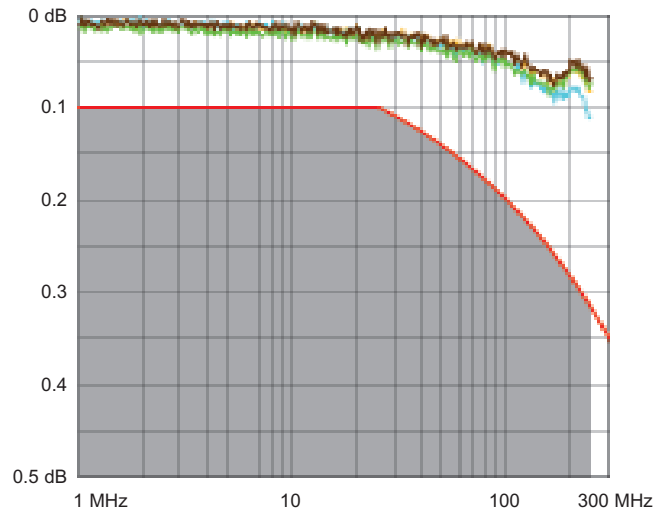
9. PERFORMANCE

9.1 Component performance (RJ 45 connectors)

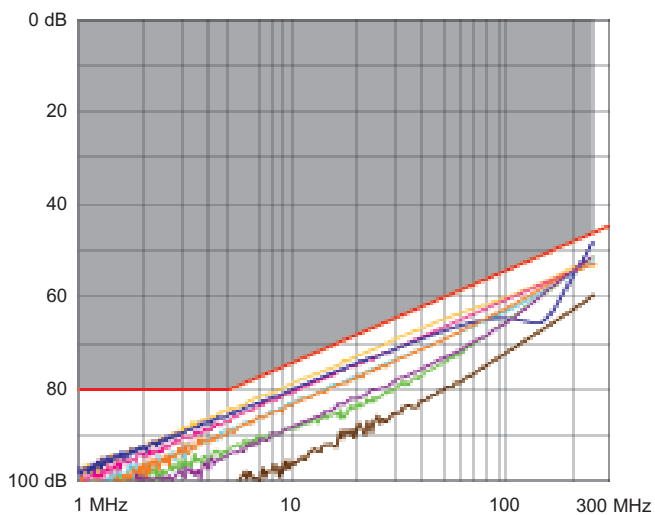
Return loss



Attenuation



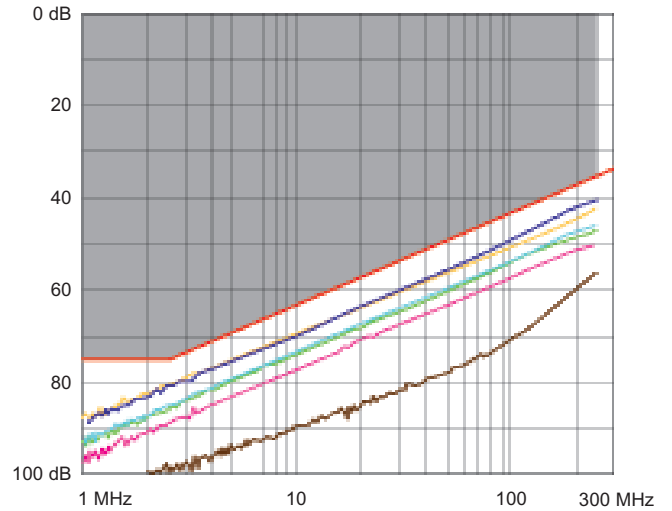
NEXT (Near end Crosstalk Attenuation)



9. PERFORMANCE (cont.)

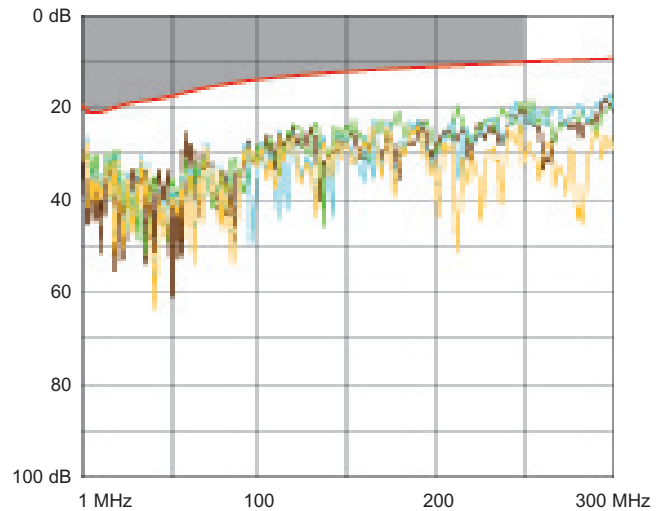
9.1 Component performance (RJ 45 connectors) (cont.)

FEXT (Far end Crosstalk Attenuation)

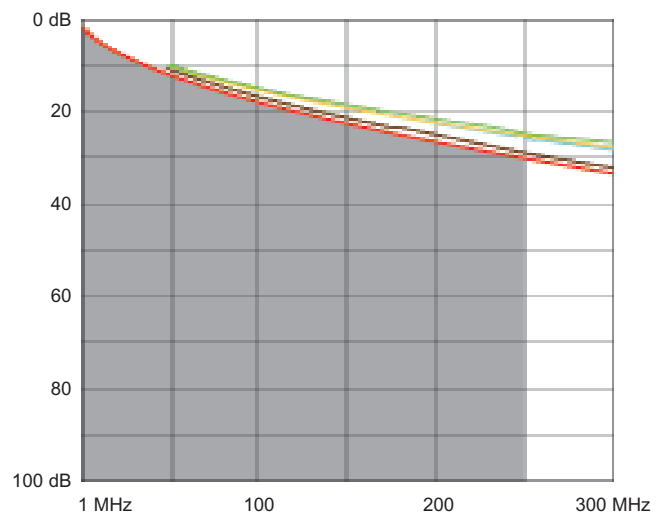


9.2 Performance of permanent link with F/UTP cable

Return loss

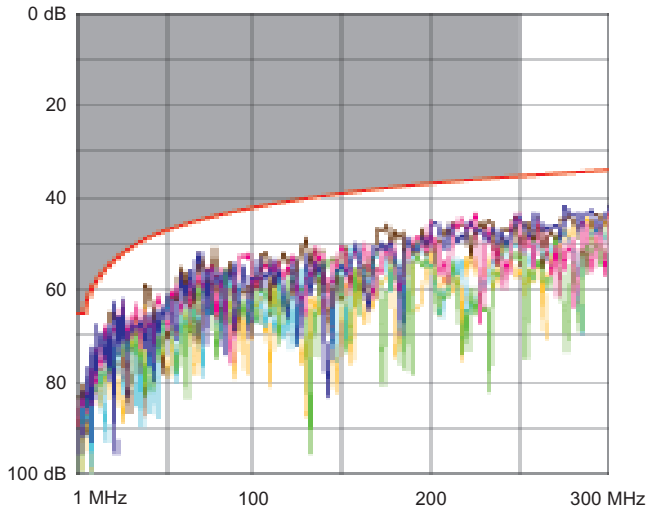


Attenuation

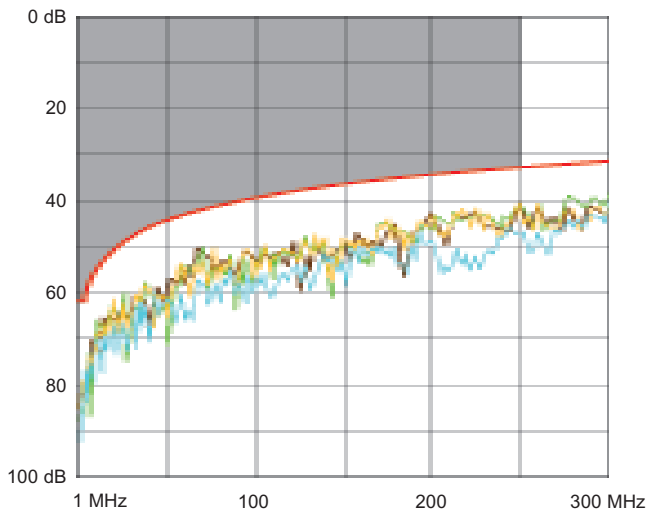


9. PERFORMANCE (cont.)

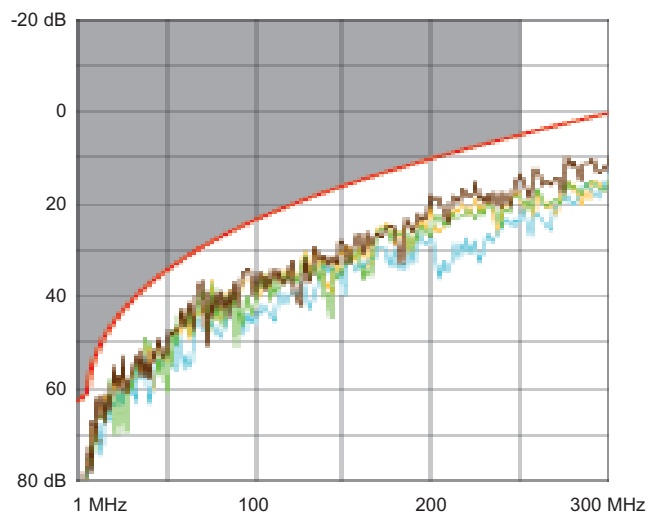
9.2 Performance of permanent link with F/UTP cable (cont.)
 NEXT (Near end Crosstalk Attenuation)



PS NEXT (Power Sum NEXT)

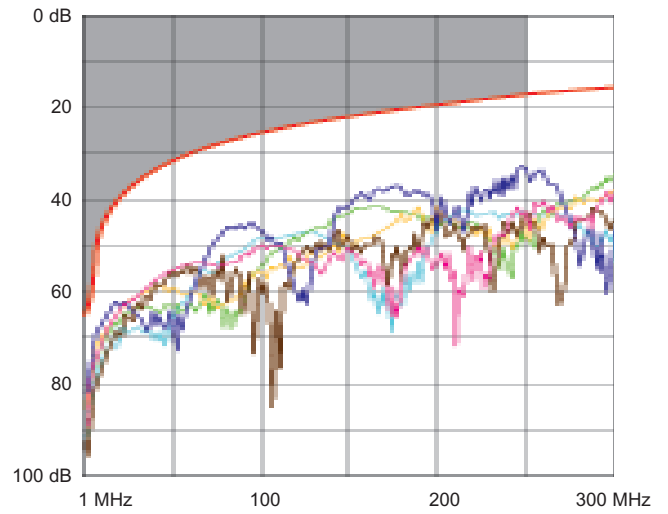


ACR-N (Attenuation to Crosstalk Ratio)



9. PERFORMANCES (cont.)

9.2 Performance of permanent link with F/UTP cable (cont.)
 ACR-F (Equal Level End Crosstalk Attenuation)



Delay skew

