

## Cat No 682083 Emergency Lighting Test Switch - Trade

### Six Month Test - 90 min

Turn the Key-switch to Start Test position to start discharge test.  
 The Red button LED will flash once a second.  
 During this test the contactor will operate for a period of 90 minutes + 45 minutes. The extra 45 minutes is designed to allow walk through to check the fittings. The total duration of this test is 135 minutes (90min+45min)  
 Push the Red button (STOP) to terminate the test (Key on Stand-by position).

### Commissioning Test - 120min

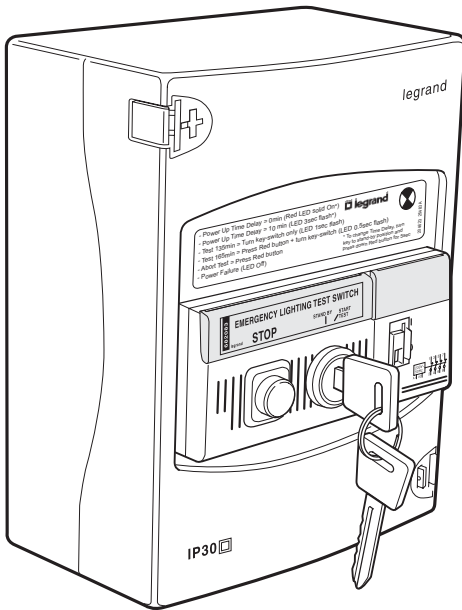
Hold down the Red button (STOP) and turn Key-switch to Start Test position to start discharge test.  
 The Red button LED will flash once every 0.5 seconds.  
 During this test the contactor will operate for a period of 120 minutes + 45 minutes. The extra 45 minutes is designed to allow walk through to check the fittings. The total duration of this test is 165 minutes (120min+45min)  
 Push the Red button (STOP) to terminate the test (Key on Stand-by position).

### Power up Time Delay

Power-up time delay provides additional 10 minutes of emergency lighting once the Mains power is restored. This is typically used to allow discharge lamps to warm up and regain sufficient light before the emergency lights are turned off avoiding a black out period.

Power-up time delay = 0 min      Red button LED solid On (Default)  
 Power-up time delay = 10 min      Red button LED flashes every 3 seconds

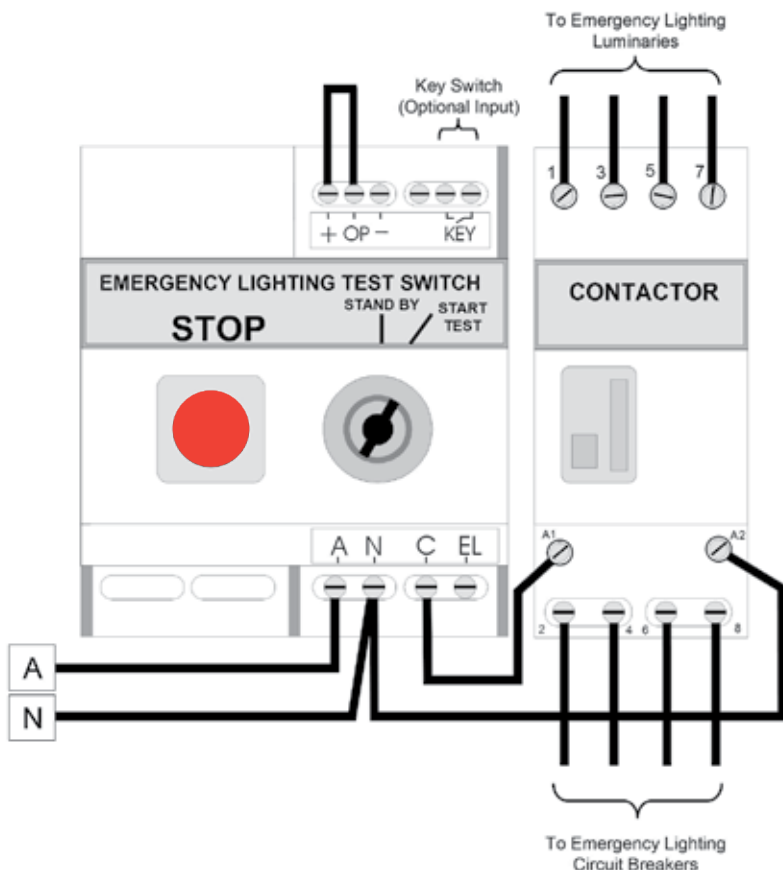
To change Power-up time delay, turn Key-switch to Stand-by position and press down Red button for 5 seconds.

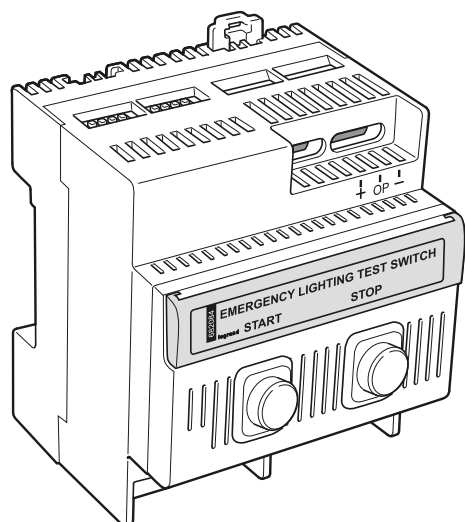


## Cat No 682083 Emergency Lighting Test Switch - Trade

### WIRING DIAGRAM

When the optional 8 Channel Sensing Module Cat No 682085 is required, the link between '+' and 'OP' must be removed. (See wiring Diagram of Sensing Module)





## Cat No 682084 Emergency Lighting Test Switch - OEM

### Six Month Test - 90 min

Push the Green button (START) to start discharge test.  
 The Red button LED will flash once a second.  
 During this test the contactor will operate for a period of 90 minutes + 45 minutes. The extra 45 minutes is designed to allow walk through to check the fittings. The total duration of this test is 135 minutes (90min+45min)  
 Push the Red button (STOP) button to terminate the test.

### Commissioning Test - 120min

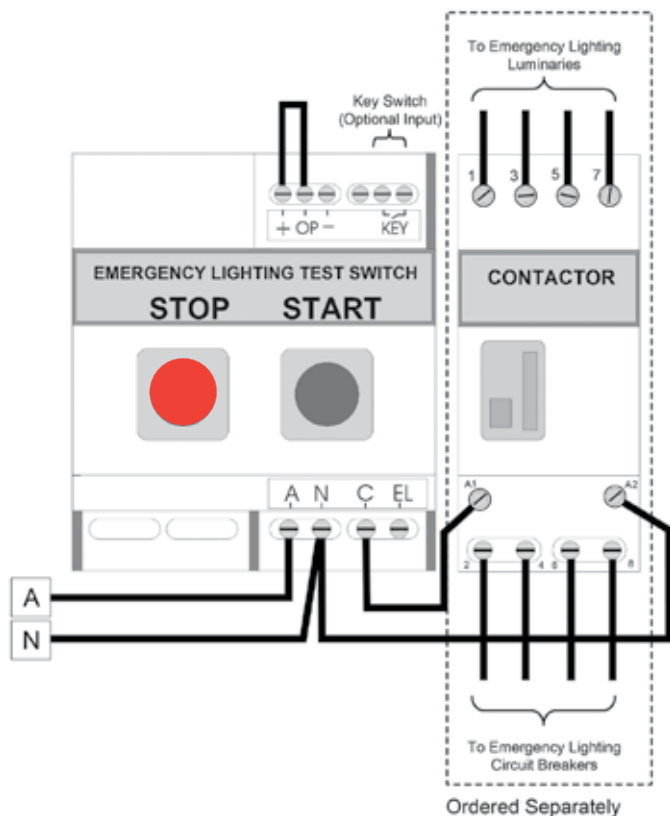
Hold down the Red button (STOP) whilst pushing the Green button (START) to start discharge test.  
 The Red button LED will flash once every 0.5 seconds.  
 During this test the contactor will operate for a period of 120 minutes + 45 minutes. The extra 45 minutes is designed to allow walk through to check the fittings. The total duration of this test is 165 minutes (120min+45min)  
 Push the Red button (STOP) to terminate the test.

### Power up Time Delay

Power-up time delay provides additional 10 minutes of emergency lighting once the Mains power is restored. This is typically used to allow discharge lamps to warm up and regain sufficient light before the emergency lights are turned off avoiding a black out period.

Power-up time delay = 0 min      Red button LED solid On (Default)  
 Power-up time delay = 10 min      Red button LED flashes every 3 seconds

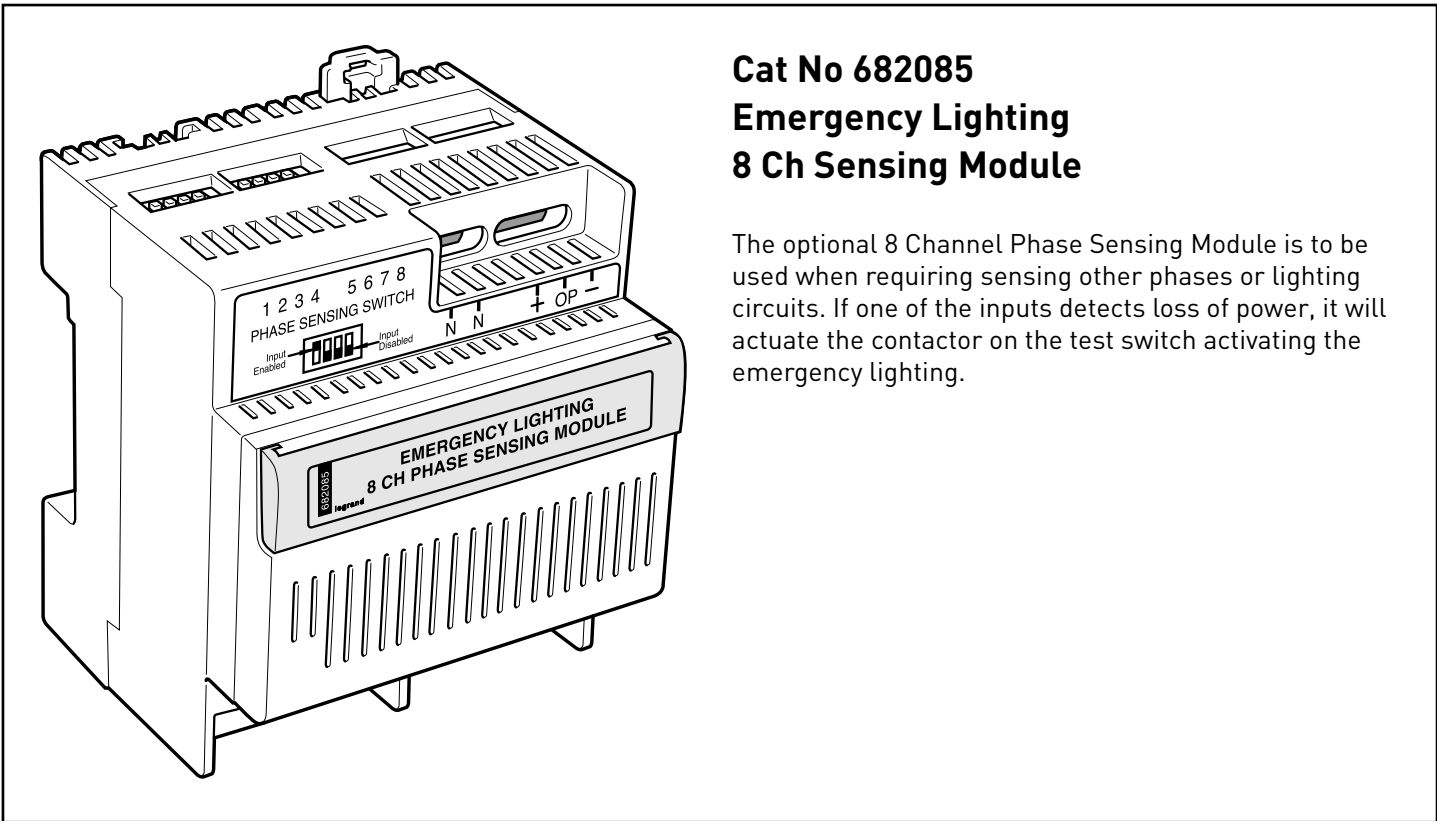
To change Power-up time delay press down Red button for 5 seconds.



## Cat No 682084 Emergency Lighting Test Switch - OEM

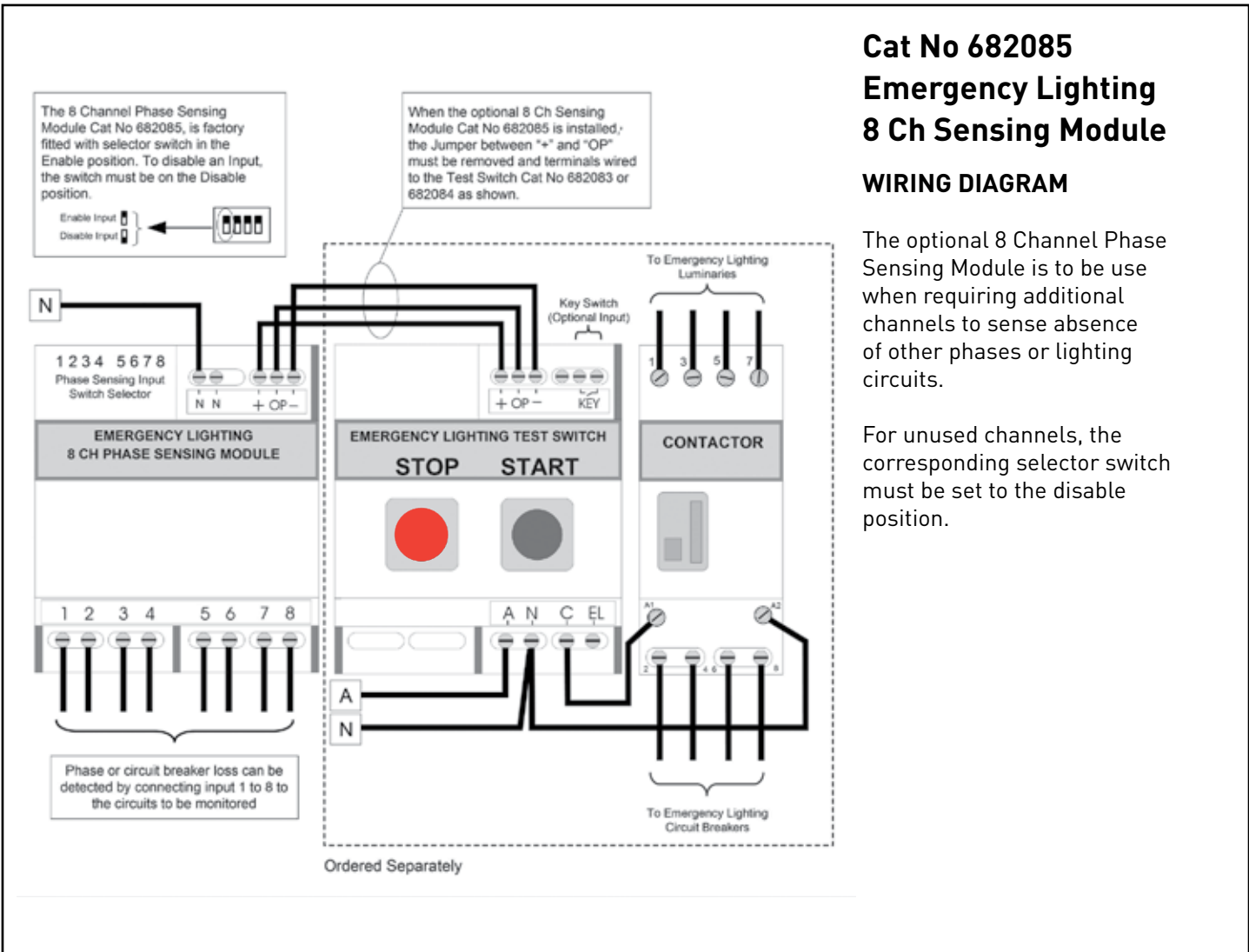
### WIRING DIAGRAM

When the optional 8 Channel Sensing Module Cat No 682085 is required, the link between '+' and 'OP' must be removed. (See wiring Diagram of Sensing Module)



### Cat No 682085 Emergency Lighting 8 Ch Sensing Module

The optional 8 Channel Phase Sensing Module is to be used when requiring sensing other phases or lighting circuits. If one of the inputs detects loss of power, it will actuate the contactor on the test switch activating the emergency lighting.



## Product Notice

### **Important Notice**

Legrand Australia Pty Ltd recommends and advises that only suitably qualified personnel undertake installation and maintenance of this emergency lighting unit, and that the installation complies to relevant safety and electrical standards.

**Warranty** - Legrand Australia Pty Ltd guarantees this emergency lighting unit for a period of 12 months from date of despatch, solely against failure arising from faulty materials or workmanship, and provided that the unit has been stored, shipped, installed, used and maintained in accordance with the manufacturers instructions and relevant standards. Misuse, negligence or modification of the unit voids all warranties. Consult Legrand Australia Pty Ltd for conditions of sales and for details on warranty liability.

If this emergency lighting unit is faulty, return the unit freight pre-paid to your point of purchase, or contact Legrand Australia Pty Ltd on (61 2) 8748 0333.

**Technical Data** - for full technical or photometric data please consult Legrand Australia Pty Ltd.

**Disclaimer** - the information and advice given should be taken as a guide only. Both are given in good faith, and are true and correct to the best of our knowledge, though no guarantee of accuracy is given, and thus persons receiving this information should determine its suitability.

Legrand reserves the right to make product improvements and design changes without notice.



[www.legrand.com.au](http://www.legrand.com.au)

**Legrand Australia Pty Ltd**  
**ABN 41 000 565 739**  
99/79-99 St Hilliers Road  
Auburn NSW 2144, Australia  
Tel: (02) 8748 0333  
Fax: (02) 8748 0345