

AXIOM computer and software

Testing systems

AXIOM Wireless Area Controller

Testing systems



6822 99



6822 98

Pack	Cat No.	Aegis system software	Prod code
1	6822 99	Enables a system control computer to co-ordinate the testing and reporting of the emergency lighting system Database contains key information including detailed physical location, zone, circuit, product type and performance status/history. Graphic of each item assists in product identification. Emergency lighting discharge tests are contained in a logbook designed to comply with AS/NZ regulations. Aegis 8 system software - AXIOM Wireless Aegis 8 has been developed with a higher level of functionality for AXIOM wireless systems.	AX-Soft

Pack	Cat No.	Control computer	Prod code
1	2223 43	Dedicated PC for the retrieval, storage and analysis of emergency lighting status information. Communicates with Area Controllers via RS485 interface (CIU) over the emergency lighting backbone. Printer is included to provide hard copy of test required in local regulations. Personal Computer	AX-PC
1	2231 85	Central Interface Unit (RS232:RS485)	COM-CIU

NOTE: Axiom control items are also applicable to Commander installations

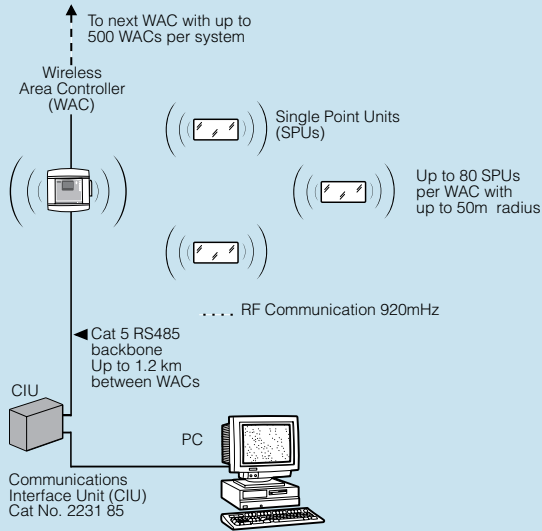
Pack	Cat No.	Wireless Area Controller	Prod code
1	6822 98	Intelligent device networked over an RS485 backbone to other Area Controllers and the Control Computer. Front window provided for infra-red wireless communication with WCT. Local zone SPU's uploaded into its memory using WCT, laptop or control computer. A variety of RJ sockets provided for trunk and branch connection using Cat 5 or legacy cabling systems. Able to initiate time-based polling of SPU's and various discharge tests as directed by WCT or computer. Monitors a single zone of up to 80 SPU's via RS485 cable, wireless or a combination. Area controller, Axiom or Commander	AX-WAC

Pack	Cat No.	Wireless commissioning tool	Prod code
1	6822 95	Multi-functional device comprising in-built bar-code scanner, robust PDA and infra-red (iRDA) interface. Scans serial numbers from plans or SPU's for inclusion in local zone records. Uses touch-screen input to add essential detail to each Area Controller individually. May be used to initiate other functions of the Area Controller. Wireless commissioning tool	AX-WCT

Accessories			
Data Cables			
1	6823 70	Conductor 6 core, flat cable (500m roll)	CAB6C
1	6823 71	Conductor 10 core, flat cable (200m roll)	CAB10C
1	2230 19	Crimping tool	COM-Crimp
Cable accessories			
1	6823 72	3 way coupler	T3
1	6823 73	Coupler 6 core cable	C6C
1	6823 74	Coupler 10 core cable	C10C
1	6823 75	6 core modular plug for flat cable	RJ45-6C
1	6823 76	10 core modular plug for flat cable	RJ45-10C
Network components			
1	6823 77	LAN to RS485 converter	UDS10
1	6823 78	Serial cable for use with UDS10 (9f-25m)	
1	6823 79	Connector for use with UDS10 (9m-9m)	

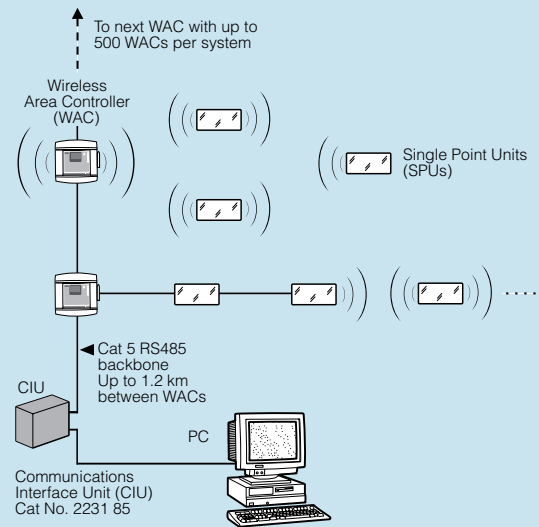
AXIOM installation and WAC dimensions

■ Typical Installation



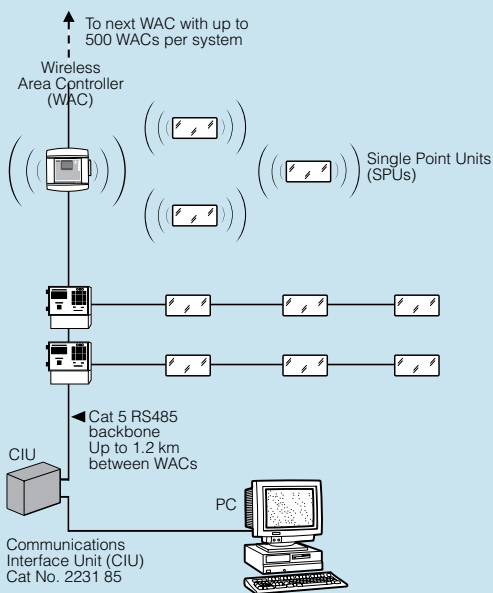
■ Hybrid Installation:

- Where wireless communication is limited

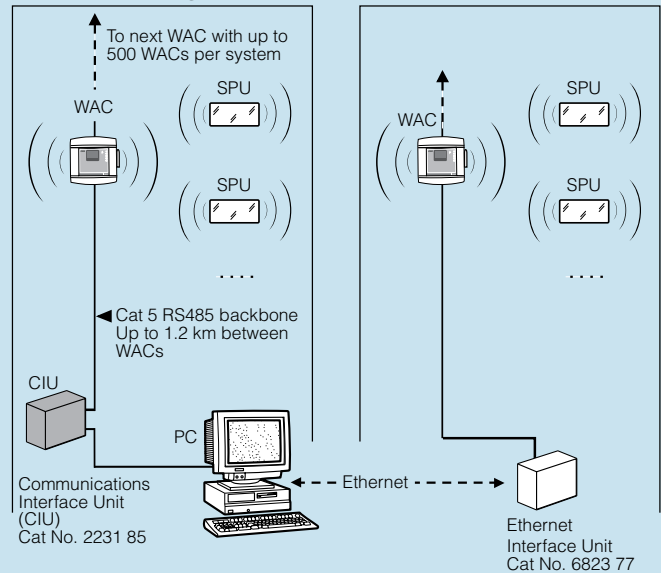


■ Add on Installation:

- Commander / AXIOM
- Extension to existing system



■ Multi-building site



NOTE: See installation & configuration instructions for application advice.

■ WAC dimensions

