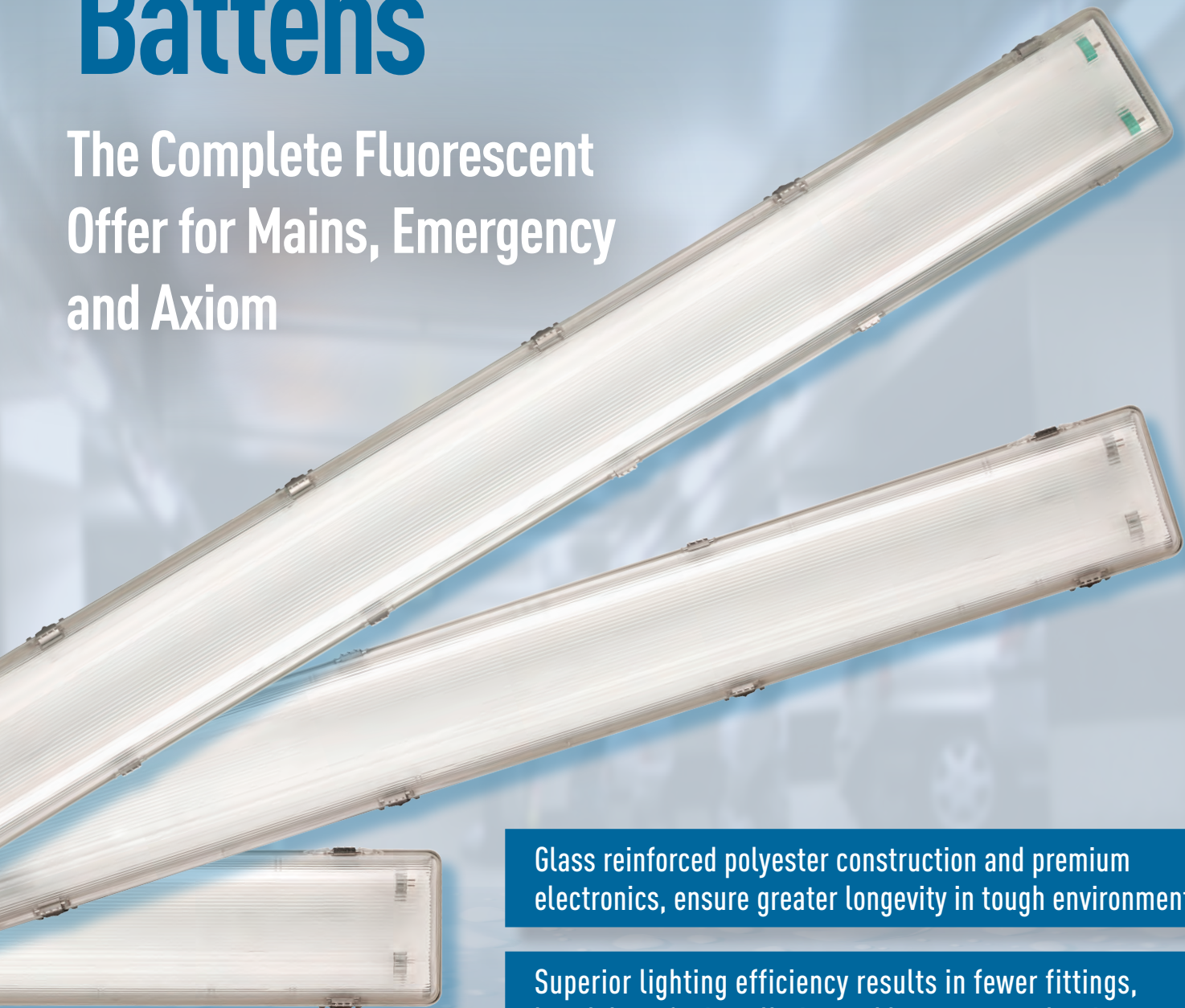


T5&T8 Weatherproof Battens

The Complete Fluorescent
Offer for Mains, Emergency
and Axiom



Glass reinforced polyester construction and premium electronics, ensure greater longevity in tough environments

Superior lighting efficiency results in fewer fittings, less labour for installation and lower energy density

Robust 316 grade stainless steel mounting clips for greater corrosion resistance

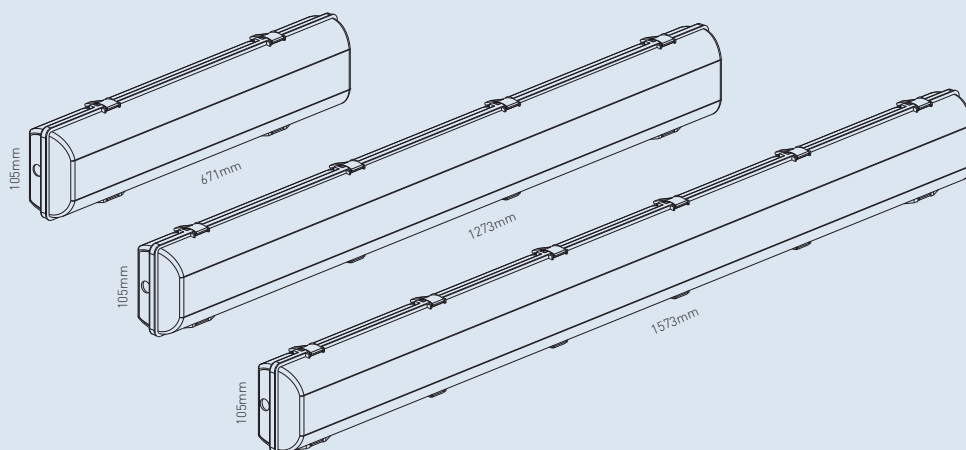
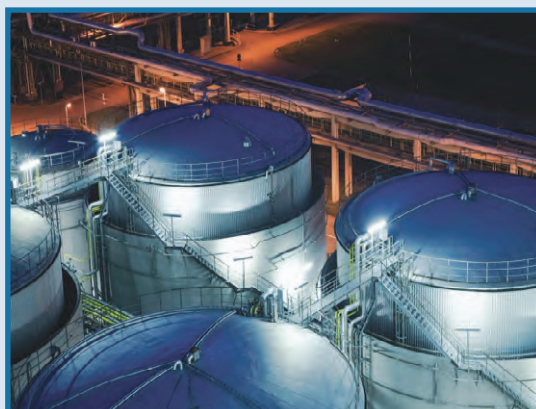
Australian manufactured universal gear trays enable the full range of T5 & T8 solutions to be quickly fabricated

T5&T8 Weatherproof Battens

Ideal for commercial and industrial applications

- Premium quality weatherproof T5 and T8 Battens with matching Emergency and Axiom Network versions available
- Ideal for use in marine environments, or areas with high concentration of steam or fumes – laundries, swimming pools, wash-rooms, breweries, road & rail tunnels and general outdoor applications
- Rigid construction with Glass Reinforced Polyester (GRP)
- Injection moulded Polycarbonate (PC) diffuser, UV stabilised for high impact resistance, provides high light transmittance for maximum Light Output Ratio (LOR)
- IP65 rated using water-tight natural silicone gel gasket
- Mounting clips are 316 grade stainless steel with provision for hanging in an open position
- Low Smoke/Halogen Free (LSHF)
- Australian manufactured gear tray, comprising of a highly reflective powder coated steel plate
- Easy upgrade to an LED light engine, motion sensing etc.
- Complies with AS/NZS 60598.1 and CISPR15:2006.

For full technical specifications visit www.legrand.com.au
or ask your local sales representative.



HPM Legrand Australia
1300 369 777
www.legrand.com.au

HPM Legrand New Zealand
0800 476 009
www.legrand.co.nz

 **legrand**®