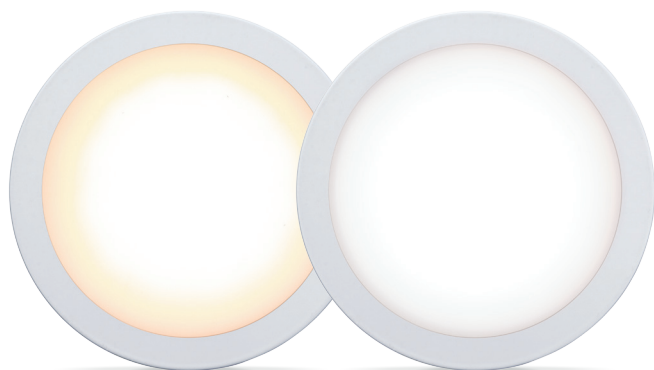




LUNA IP44 18W Dimmable LED Panel Light Kit

Cat. No. LPA013KWE, LPA014KWE

Instruction Sheet



Class II Construction

1 18W Panel Light

Cat no.	Description	Ceiling Cut-out	Ceiling Depth	Fascia Diameter	Lumens	Colour Temp	Beam Angle	CRI	IP Rating
LPA013KWE	White Sealed 18W LED Warm White with Dimmable Driver	225mm	30mm	250mm	1440lm	3000K	103°	80+	IP44
LPA014KWE	White Sealed 18W LED Cool White with Dimmable Driver	225mm	30mm	250mm	1500lm	4000K	103°	80+	IP44

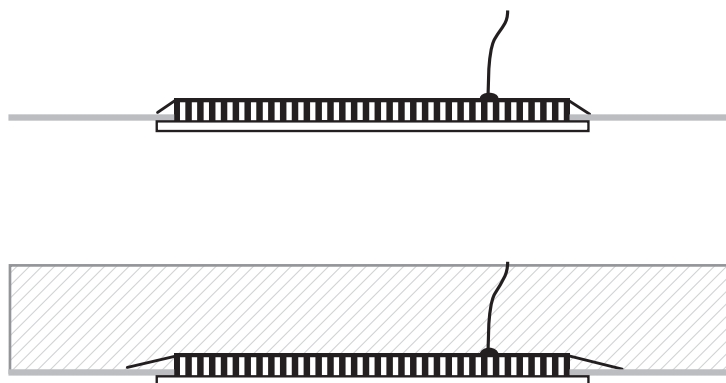
2 LED Downlight Lamp Life

30,000 Hrs Rated Average Lamp LED Life @25°C when installed with the default insulation clearances specified by AS/NZS 3000 -2007

25,000 Hrs Rated Average Lamp LED Life @25°C when installed with the thermal insulation abutting and covering the fixture in accordance with the IC rating specified in AS/NZS 60598.2.2 Amendment A (NZ only).



Note: This form of installation complies with the Wiring Rules AS/NZS 3000:2007 requirement for recessed downlights, clause 4.5.2.3.1 (i).



3 Dimming

The HPM 18W LED Panel Light is dimmable* with Trailing and Leading Edge Dimmers. We recommend the following Dimmers only.

Compatible dimmers	Max. lamps per dimmer	Dimming range
Legrand Excel Life EM400A3P	8	100%-5%
Legrand Excel Life EM250T/250L	5	100%-10%
Legrand Excel Life EM400T/400L	8	100%-10%
Legrand Arteor AR400T/400L	8	100%-10%
Legrand Arteor AR400A3P	8	100%-5%
HPM 250T/250L	5	100%-10%
HPM 400T/400L	8	100%-10%
HPM 700T/700L	14	100%-25%
HPM 1000T/1000L	20	100%-25%

4 Insulation Rating IC



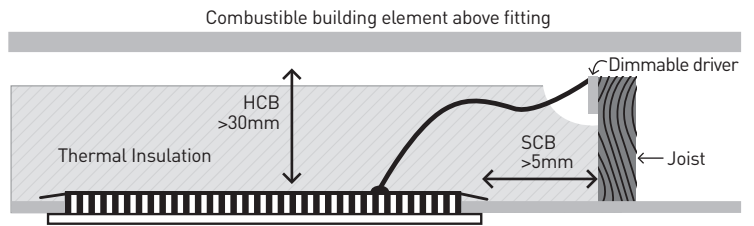
This series of downlights has achieved an IC insulation rating in accordance with AS/NZ 60598.2.2.

A type IC, recessed luminaire can be installed with building insulation material that can safely be exposed continuously to temperatures up to 90°C. Such insulation can cover and abut the side of the luminaire.

Refer to diagram for clarification.

LED driver can be placed under insulation, however, the warranty will be void and drivers lifespan may be affected.

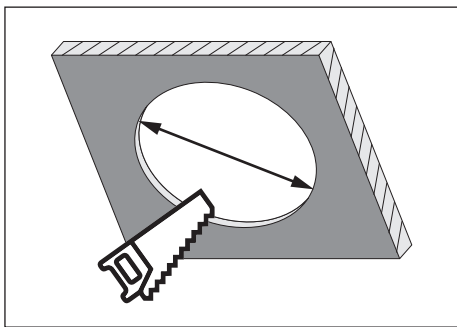
18W PANEL LIGHT



5 Setup Instructions

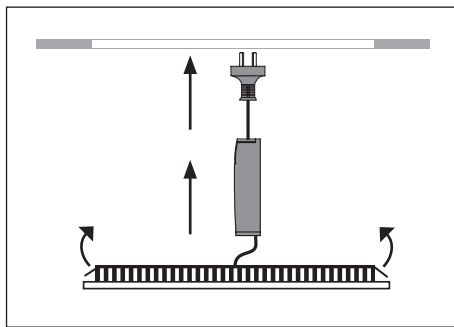
Step 1

Cut out a diameter of 225mm.



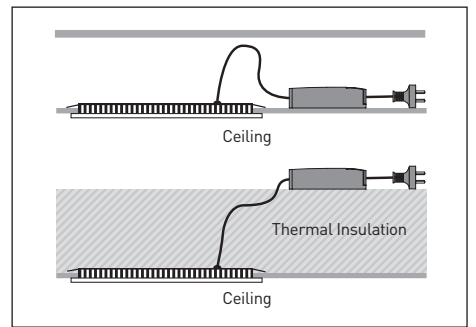
Step 2

Connect driver to main cables.



Step 3

Hold clips in place and push into cut out.



Note: Not suitable for use with loose-fill insulation.

If installed in accordance with the IC rating, insulation shall have a minimum temperature rating of 90°C.

Risk of FIRE - Required clearance from structural members and building elements
SCB = 5mm HCB = 30mm

SCB - Side Clearance to Building element:

Minimum distance between the side of the recessed luminaire and any building element.

HCB - Height Clearance to Building element:

Minimum distance between the top of the recessed luminaire and any building element above it.

* Dimmable only with the Trailing and Leading Edge Dimmer Types listed above.

^ Lumen values quoted are typical and can vary at different colour temperatures and between manufacturers.

Installation must be by a Registered Electrical Contractor.

Warranty

HPM Legrand warrants this product for a period of 6 years from the date of purchase.

These goods come with guarantees that cannot be excluded under the Australian and New Zealand Consumer Laws. You are entitled to a replacement or a refund for a major failure and for compensation for any other reasonably foreseeable loss or damage. You are also entitled to have the goods repaired if the goods fail to be acceptable quality and the failure does not amount to a major failure.

See the Warranty card enclosed with this product for further details.

Customer Service

For all Customer Service and Technical Support please call Monday to Friday during business hours.

HPM Legrand Australia
1300 369 777
www.hpmlgrand.com.au

HPM Legrand New Zealand
0800 476 009
www.hpmlgrand.co.nz

ABN: 31 000 102 661

A Group brand | legrand