

Data Sheet



Excel Life™ Medical Range, Equipotential Node and Equipotential Junction Recessed Wall Box

CAT NO. EAEPNODE, EAEPJUNCTION



EAEPNODE



EAEPJUNCTION

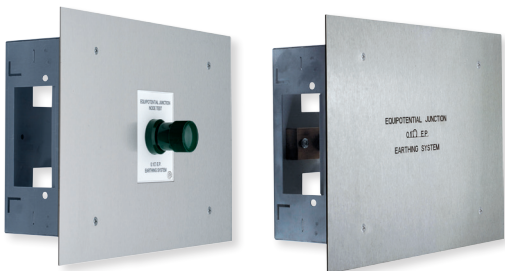
Cat No	EAEPNODE	EAEPJUNCTION
Description	Excel Life Accessories – Equipotential Node and Junction Recessed Wall Box	
Installation Type	Suitable to Wall Stud or Joinery	
Box Depth	65mm (Excluding Adjustable Tray)	
Box Dimensions	225mmW x 150mmH	
Stainless Steel Plates	265mmW x 190mmH	
Earth Bar Terminals	1 x Ø16mm 5 x Ø8mm 10 x Ø5mm 1 x 1-Gang Earth Stud	3 x Ø16mm 2 x Ø8mm 3 x Ø5mm

NOTE: Powder Coated available on demand

Excel Life™ Medical Range, Equipotential Node and Equipotential Junction Recessed Wall Box



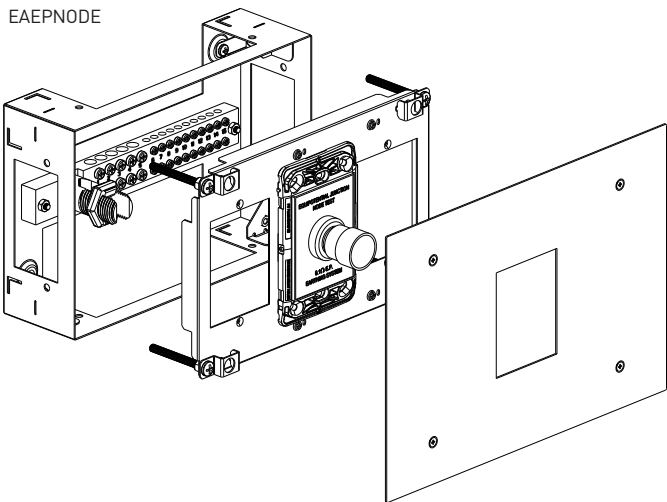
CAT NO. **EAEPNODE, EAEPJUNCTION**



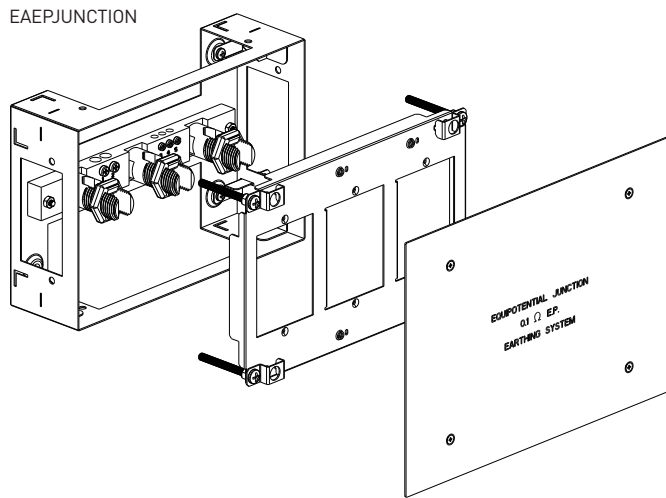
Single product		
Cat No	Dimensions	Barcode
EAEPNODE	TBA	9321001434368
EAEPJUNCTION	TBA	9321001434351

- Suitable for Medical facilities such Hospitals, Medical Centers,
- Modular system suitable for horizontal or vertical installations
- Adjustable tray
- Multiple side cable entries
- Earth point and Earth cable provided

EAEPNODE



EAEPJUNCTION



HPM Legrand - AUS
1300 369 777
www.legrand.com.au
ABN 31 000 102 661

HPM Legrand - NZ
0800 476 009
www.legrand.co.nz

Refer to your group buying office, HPM Legrand Sales Representative or HPM Legrand Sales Office for pricing.

Please note: specifications are subject to change without prior notice.