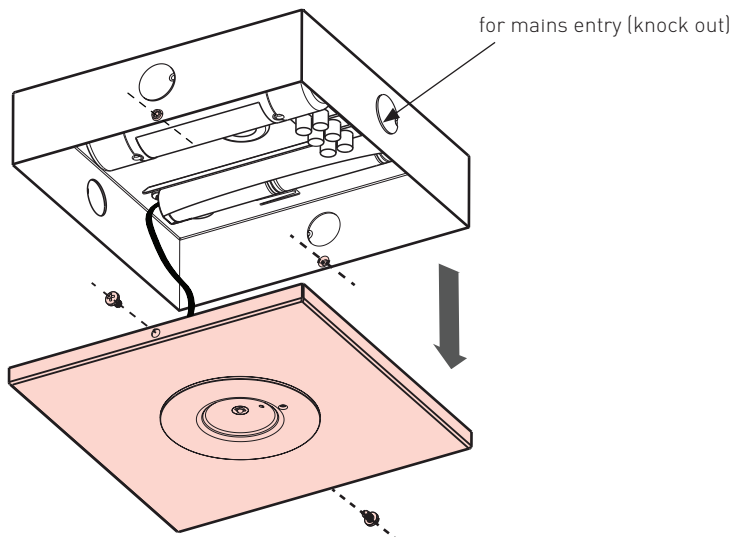
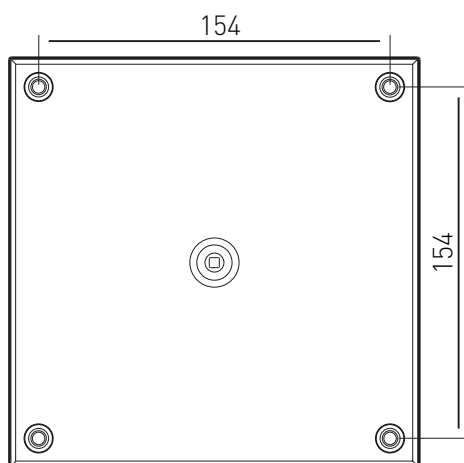


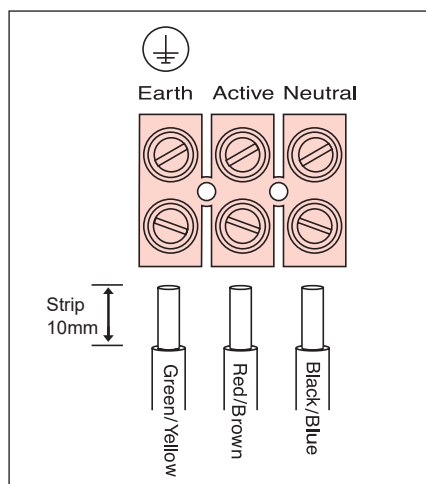
- Step 1. Prepare for the installation by removing the cover.
- Step 2. Feed the mains cable from the rear or side of the enclosure.



- Step 3. Install the unit onto the ceiling using the mounting holes shown below.



- Step 4. Terminate the mains wires into the terminal block.





- Step 5. Once complete close the cover and lock into position with screws provided.

## Important Notice

Legrand recommends and advises that only suitably qualified personnel undertake installation and maintenance of this emergency lighting unit, and that the installation complies with relevant safety and electrical standards.

## Status Indication

### Battery charging LED

LED On: 	Unit is fully charged OR Battery is charging.
LED Off: 	Loss of mains power, OR Battery disconnection.

**Installation Testing** - with the unit connected to the unswitched mains supply, check that the charge indicator is illuminated. If not illuminated check that the supply is ON, and that the battery leads in the unit are correctly connected. It is recommended that the batteries should be charged for a minimum of 16 hours before a full discharge test is performed. However, checking if the emergency lamp function may be performed after 1 hour by momentarily pressing the test switch on the unit. Interrupting supply will discharge emergency lighting batteries. If supply remains interrupted for a long period, permanent damage to the batteries may result due to excessive battery discharge and will void warranty.

Do not subject units to a high number of charge/discharge cycles.

**Inspection and Maintenance** - must be performed in accordance with AS/NZS 2293.2 for Australian and New Zealand installations and in accordance with relevant local standards in other countries.

The batteries in this emergency lighting unit **MUST** be replaced when the unit no longer meets rated operating life.

**Technical Data** - for full technical or photometric data please consult Legrand.

**Disclaimer** - This product should only be cleaned with a damp cloth. Cleaning agents and solvents should not be used. The IP rating of this product is only valid when all applicable seals, glands and their appropriate cables are installed correctly. This product must be installed and used as per these instructions. This product must be installed by a licenced electrician. After installation, this product must be commissioned and tested as required by the appropriate government and/or statutory regulations. This product must be used with the loads specified only. Other load types should be used only when written confirmation is given by Legrand. This product contains rechargeable batteries. If this product is to be stored for an extended period of time (>3 months) then all batteries must be disconnected prior to storage. This product contains rechargeable batteries that may contain heavy metals. At the end of their life, the batteries should be recycled. This product has no user-serviceable part and no attempt should be made to repair this product. For repair please contact Legrand. Extended exposure to UV rays (such as exposure to direct sunlight) may cause discolouration of this product. Severe electromagnetic interference from other products may cause malfunction of this product. This product is not suitable for marine environments such as areas subject to salt spray and/or mist. This product is not suitable for installation in hazardous and/or corrosive areas. The material in this product may vary in colour from batch to batch. Colour matching from one batch to another cannot be guaranteed. Electrical installations periodically received transient over voltages. This product has been designed to minimise the effect of such voltages on connected equipment. It may not give full protection for extreme over voltage transients such as those resulting from a close lightning strike. This product has been designed to operate on a nominal supply voltage of 230 -240V a.c. 50Hz. Performance of this product may be affected if installed near RF transmitters such as mobile phone services or similar. Performance of this product may be affected if installed in or around substantially metal enclosures or structures. This product utilises intellectual property in the form of registered designs, trademarks, and/or patents. Such intellectual property remains the property of Legrand in all cases. Legrand reserves their right to modify the specifications of this product at any time.

## Warranty

Legrand Australia Pty Ltd warrants this product for a period of 36 months from the date of purchase.

These goods come with guarantees that cannot be excluded under the Australian and New Zealand Consumer Laws. You are entitled to a replacement or a refund for a major failure and compensation for any other reasonably foreseeable loss or damage. You are also entitled to have the goods repaired or replaced if the goods fail to be of acceptable quality and the failure does not amount to a major failure.

## Customer Service

For all Customer Service and Technical Support enquires please call Monday to Friday during business hours.

Legrand Australia  
1300 369 777  
www.legrand.com.au

Legrand New Zealand  
0800 476 009  
www.legrand.co.nz

ABN: 31 000 102 661

