

Datasheet

Bolt LED Exit Sign

CAT. NO. 659135LI, 659136LI, 659137LI, 659138LI, 659139LI, 659140LI



Bolt LED - Snap-fit



Bolt LED - Slide connect

Operation Mode	Maintained
Nominal Input Voltage	230 - 240 V a.c. 50 Hz
Battery	Li-ion 6.4 V 570 mAh
Operating Temperature	10° C to 40° C
Power Consumption	2.7 W
Inrush current	5 A (peak)
Light Source Life (LSL)	100,000 hrs
Body Construction	Polycarbonate (White or Black finish)
Diffuser Construction	Polycarbonate
IP Rating	IP20
IK Rating	IK04
Weight	1.2 kg (Snap-fit) 1.3 kg (Slide connect)
Compliance	AS/NZS 60598, AS/NZS 2293
Product Marking	 



Bolt LED Exit Sign

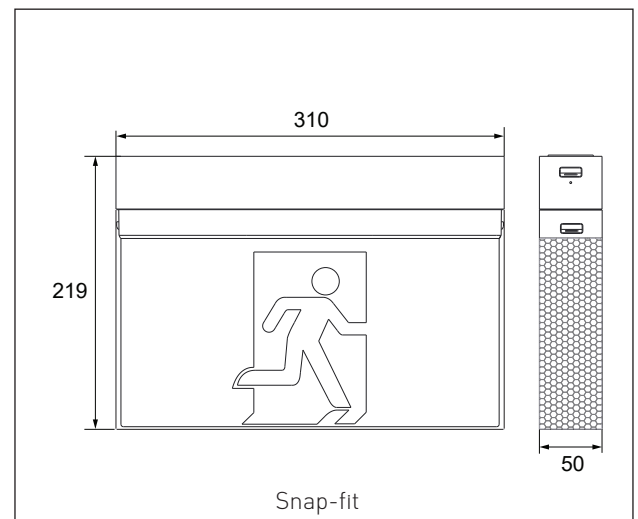
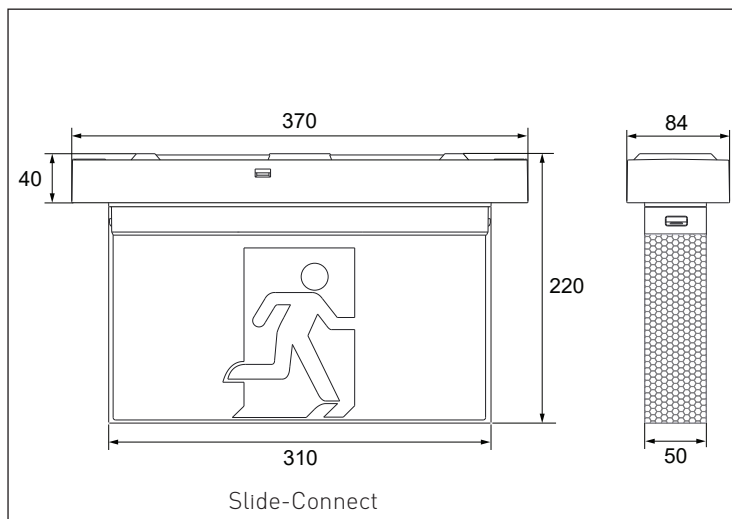
CAT. NO. 659135LI, 659136LI, 659137LI, 659138LI, 659139LI, 659140LI



FEATURES

- An aesthetically pleasing design that is both slim and discrete.
- Honeycomb lens with matt finish diffuser sides for glare reduction and maximum light dispersion.
- Simple and fast maintenance with integrated push in tabs on diffuser and installation bracket.
- Two installation options:
 - Snap-fit bracket for fast installation and maintaining a sleek design.
 - Slide connect bracket designed for retrofit of previous slide connect generations.
- Large spring loaded auto-disconnect terminal block for ease of connection.
- Embedded Bluetooth for smart device connectivity.
- Low Power Wide Area Network type of communications utilising the LoRa platform.
- LoRa communication to maximise reliability, coverage and infiltration.
- iSmart™ temperature sensing technology for the Li-ion battery.
- Electronics designed to lengthen the life of the battery, minimising maintenance costs.
- Wall or Ceiling mounted.
- Environment friendly battery.
- 5 Year Warranty.
- Designed and Manufactured in Australia.

DIMENSIONS



Note: All dimensions are in mm.

Bolt LED Exit Sign

CAT. NO. 659135LI, 659136LI, 659137LI, 659138LI, 659139LI, 659140LI



Spacing Table

Maximum spacing for 0.2 lux (Australia)

Classification	Maximum spacing between luminaries					
	Mounting Height (metres)					
	2.1	2.4	2.7	3	3.3	3.6
C ₀ :E6.3	6.9	7.4	7.9	8.2	8.5	8.8
C ₉₀ :D6.3	8.5	8.8	8.9	9.1	9.1	9.2

As per AS/NZS 2293:2018

Maximum spacing for 1 lux (New Zealand)

Classification	Maximum spacing between luminaries					
	Mounting Height (metres)					
	2.1	2.4	2.7	3	3.3	3.6
C ₀ :E6.3	4.1	4.1	-	-	-	-
C ₉₀ :D6.3	4.0	3.7	-	-	-	-

As per AS/NZS 2293:2018

Note: Theatre versions have no classification as they are an internally illuminated sign as per AS/NZS 2293.

Cat. No.	Description
Snap-fit bracket	
659135LI	Maintained LED set of 3xRM Decals SS/DS – White – LIION
659136LI	Maintained LED set of 3xRM Decals SS/DS- Theatre – LIION
659139LI	Maintained LED set of 3xRM Decals SS/DS – Black – LIION
Slide connect bracket	
659137LI	Maintained LED set of 3xRM Decals SS/DS – White – LIION
659138LI	Maintained LED set of 3xRM Decals SS/DS - Theatre- LIION
659140LI	Maintained LED set of 3xRM Decals SS/DS – Black – LIION
Accessories	
659459	L-Bracket for Snap-fit Models - White
686215	L-Bracket for Slide Connect Models - White
686216	Wire Suspension Kit (2x6 m)
686235	Wire guard for Wall Mount Exit Signs
686236	Wire guard for Ceiling Mount Exit Signs
686260	Suspension Rod Kit 600 mm – White
686261	Suspension Rod Kit 1200 mm – White
686262	Suspension Rod Kit 3000 mm – White
686263	Suspension Rod Kit 600 mm – Black
686264	Suspension Rod Kit 1200 mm – Black
686265	Suspension Rod Kit 3000 mm – Black
659460	Anti-tamper Kit - White
659461	Anti-tamper Kit - Black
686270	Weatherproof IP65 Enclosure

RM = Running Man, DS = Double-Sided, SS = Single-Sided

Note: Theatre versions comply with AS/NZS 2293 as an internally illuminated sign without a classification.

Legrand - Australia
1300 369 777
www.legrand.com.au
ABN 31 000 102 661

Legrand - New Zealand
0800 476 009
www.legrand.co.nz

Refer to your group buying office, Legrand Sales Representative or Legrand Sales Office for Pricing.

Please note: specifications are subject to change without prior notice.



LE12224AB

10 / 2020