

Edgelight LED Exit

CAT. NO. 659117LI, 659118LI, 65919LI, 659120LI, 659121LI, 659122LI, 659123LI, 659124LI, 659125LI, 659126LI, 659127LI, 659128LI, 659129LI, 659130LI, 659131LI



659118LI

Operation Mode	Maintained
Nominal Input Voltage	230 - 240 V a.c. 50 Hz
Light Source	LED
Battery	Li-ion 1.5 Ah, 12.8 V
Operating Temperature	10° C to 40° C
Power Consumption	3 W
Inrush current	5 A (peak)
Body Construction	White powder-coated Zinc Steel
Diffuser	Inner: High quality Acrylic Outer: Screen printed medium density Opal Acrylic
IP Rating	IP20
Classification	C ₀ :D2.5 C ₉₀ :C40
Compliance	AS/NZS 4268, AS/NZS 60598, AS/NZS 2293, AS CISPR 15
Product Marking	R-NZ



Edgelight LED Exit



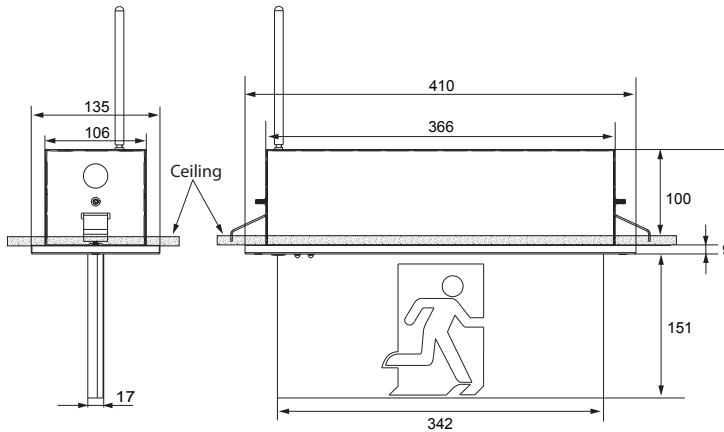
CAT. NO. 659117LI, 659118LI, 65919LI, 659120LI, 659121LI, 659122LI, 659123LI, 659124LI, 659125LI, 659126LI, 659127LI, 659128LI, 659129LI, 659130LI, 659131LI

FEATURES

- Slim edge light design.
- Robust and easy to install.
- Embedded Bluetooth for smart device connectivity.
- Low Power Wide Area Network type of communications utilising the LoRa platform.
- LoRa communication to maximise reliability, coverage and infiltration.
- iSmart™ temperature sensing technology for the LIION battery.
- Electronics designed to lengthen the life of the battery, minimising maintenance costs.
- Environment friendly battery.
- Available in three installation options: Recessed, Suspended and Surface Mount.
- 5 Year Warranty.
- Designed and Manufactured in Australia.

DIMENSIONS

Recessed



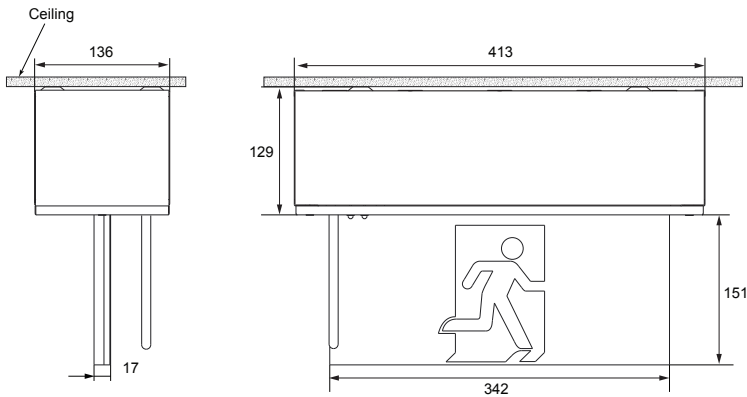
Note: All dimensions are in mm.

Edgelight LED Exit

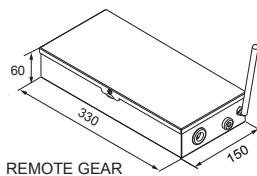
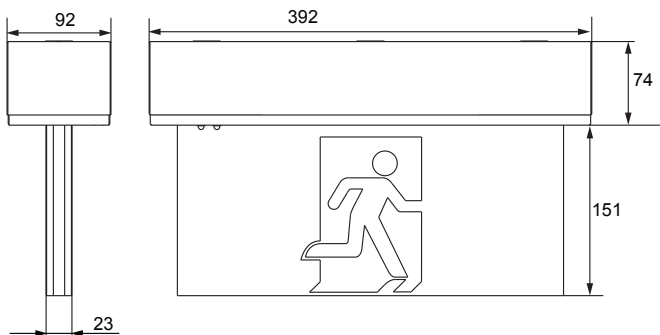


CAT. NO. 659117LI, 659118LI, 65919LI, 659120LI, 659121LI, 659122LI, 659123LI, 659124LI, 659125LI, 659126LI, 659127LI, 659128LI, 659129LI, 659130LI, 659131LI

Surface Mounted



Suspended



*Edgelight Rod Suspension will require a $\varnothing 25$ mm diameter rod kit (not included and is required) to allow the 10 m supplied cable to feed through and terminate at the Exit sign head.

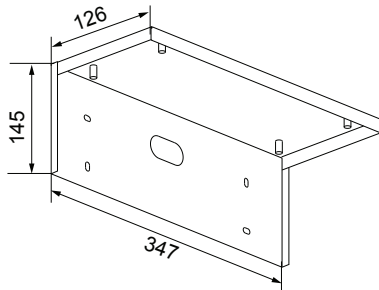
Note: All dimensions are in mm.

Edgelight LED Exit

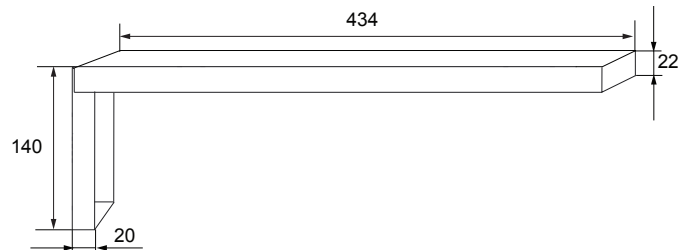


CAT. NO. 659117LI, 659118LI, 65919LI, 659120LI, 659121LI, 659122LI, 659123LI, 659124LI, 659125LI, 659126LI, 659127LI, 659128LI, 659129LI, 659130LI, 659131LI

Wall Bracket Accessory



L - Bracket Accessory



Note: All dimensions are in mm.

Cat. No.	Description	Cat. No.	Description	Cat. No.	Description
Recessed		Surface mounted		Suspended	
659117LI	EDGELIGHT SS RMS LI	659122LI	EDGELIGHT SS RMS LI	659127LI	EDGELIGHT SS RMS LI
659118LI	EDGELIGHT SS RML LI	659123LI	EDGELIGHT SS RML LI	659128LI	EDGELIGHT SS RML LI
659119LI	EDGELIGHT SS RMR LI	659124LI	EDGELIGHT SS RMR LI	659129LI	EDGELIGHT SS RMR LI
659120LI	EDGELIGHT DS RMS LI	659125LI	EDGELIGHT DS RMS LI	659130LI	EDGELIGHT DS RMS LI
659121LI	EDGELIGHT DS RMLR LI	659126LI	EDGELIGHT DS RMLR LI	659131LI	EDGELIGHT DS RMLR LI
Accessories					
659457	EDGELIGHT L- BRACKET - WHITE				
659458	EDGELIGHT WALL BRACKET - WHITE				

RMS = Running Man Straight, RML = Running Man Left, RMR = Running Man Right, RMLR = Running Man Left/Right, DS = Double-Sided, SS = Single-Sided, LI = Lithium battery

Legrand - Australia
1300 369 777
www.legrand.com.au
ABN 31 000 102 661

Legrand - New Zealand
0800 476 009
www.legrand.co.nz

Refer to your group buying office, Legrand Sales Representative or Legrand Sales Office for pricing.

Please note: specifications are subject to change without prior notice.

