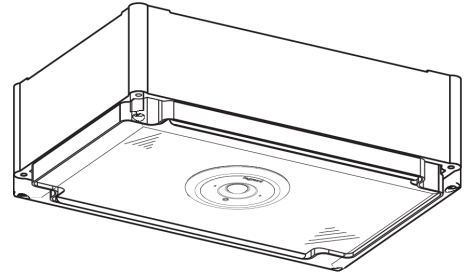


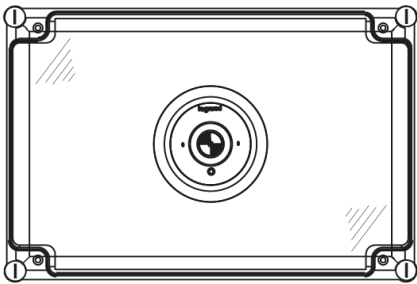
Specification

All Models	
Supply voltage	230 - 240V a.c 50Hz
Operating Temperature	10°C to 40°C
IP Rating	IP55
Net Weight	1.5 kg

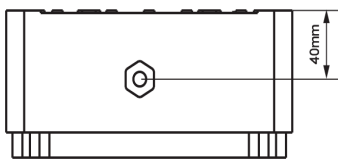


Installation

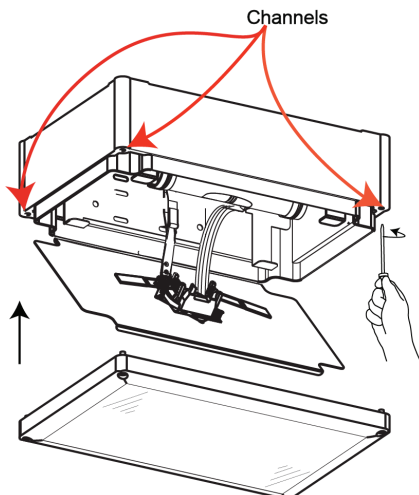
1. Prior to mounting the unit, unlock the cover via 4 x quarter turn and remove the cover.



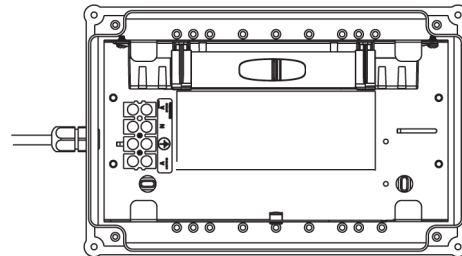
- 2. Remove the satellite gear tray.
- 3. Drill a Ø 20mm hole on the side of the unit closest to the terminal block.
- 4. Install the gland in position. Make sure it is installed properly to retain IP rating.



5. Fix the box onto the ceiling through 4 channels, use 8-12 guage screws. (not supplied)



6. Connect the power cable through the gland and terminate into the terminal block.



Note: For wireless models, the antenna should be facing away from the gear tray. For DALI models, connect the two DALI wires to the DALI terminals.

7. Close the cover and lock into position.

