



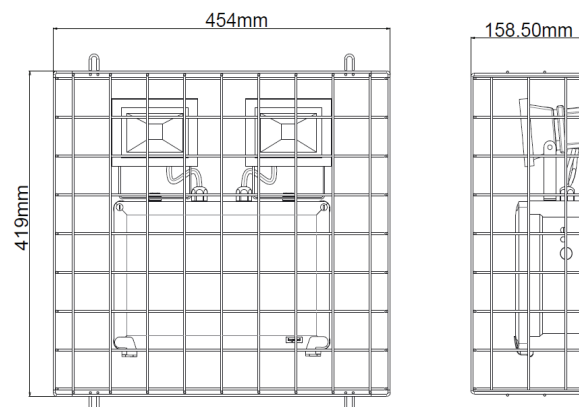
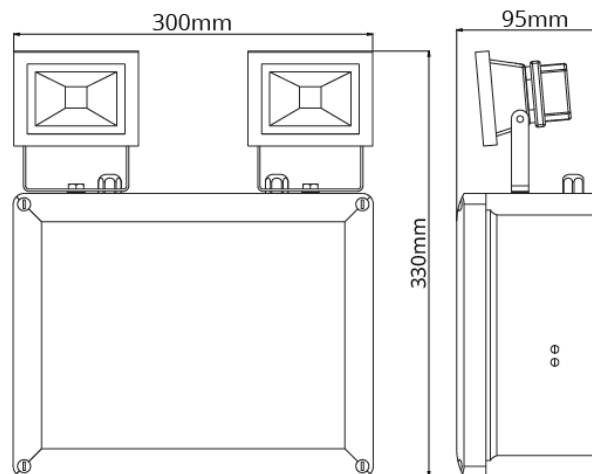
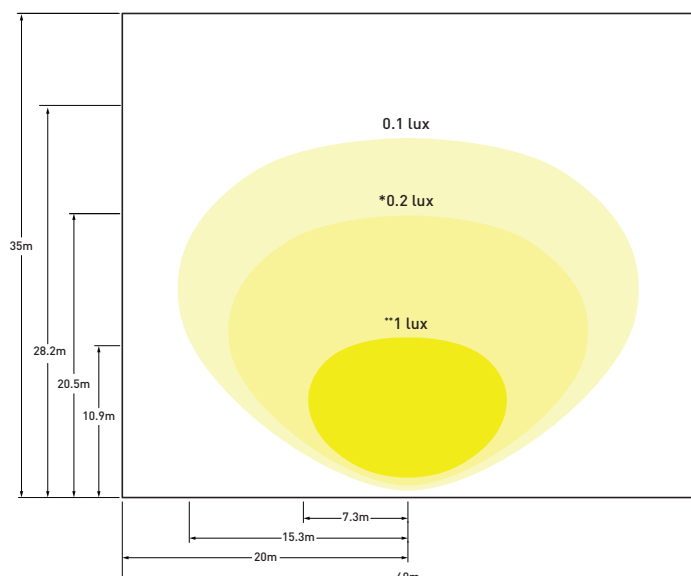


Cat. No.	659515LI	659516LI
Type	Standalone	Axiom
Operating Mode	Non-maintained	
Nominal Input Voltage	230 - 240 V a.c. 50 Hz	
Battery	Li-Ion 12.8 V 3.2 Ah	
Power Consumption	5 W	
Lumen Output	2 x 580 lm	
Inrush Current	5 A peak	
Light Source Life (LSL)	100,000 hrs	
Body Construction	Polycarbonate	
Operating Temperature	10° C to 40° C	
Ingress Protection Rating	IP65	
Impact Protection Rating	IK07	
Product Weight	2.5 kgs	
Compliance	AS/NZS 2293, AS/NZS 60598	
Product Marking	 	

## FEATURES

- LED Spotlight for non maintained emergency lighting applications.
- Ideal for commercial applications such as car parks and sports venues.
- Energy efficient LED lamp technology.
- iSmart™ temperature sensing technology for the Li-ion battery.
- Electronics designed to lengthen the life of the battery minimizing maintenance costs.
- Environment friendly battery.
- Easy to install.
- Standalone or Axiom options.
- 5 year Warranty.
- Designed and Manufactured in Australia.

## DIMENSIONS



- Luminaire is mounted 5m above floor on one wall.
- Spotlights have a 90 degree tilt angle (straight out from fitting)
- A maintenance factor of 1.0 is applied to all luminaires.
- Illuminance measurements are at ground level.
- This design is to be used as a guide only and should not be used for compliance. A dedicated lighting design will need to be done for every application.

\*0.2 lux corresponding to Australian lighting standards.  
 \*\*1 lux corresponding to New Zealand lighting standards.

Cat. No.	Description
<b>Standalone</b>	
659515LI	Twin LED Spotlight, IP65 - Li-ion
<b>Axiom</b>	
659516LI	Twin LED Spotlight, IP65 - Li-ion
<b>Accessory</b>	
682369	Wire Guard - White

Legrand Australia  
 1300 369 777  
 www.legrand.com.au  
 ABN 31 000 102 661

Legrand New Zealand  
 0800 476 009  
 www.legrand.co.nz

Refer to your group buying office, Legrand Sales Representative or Legrand Sales Office for pricing.

Please note: specifications are subject to change without prior notice.