




# Datasheet

## Twin LED Spotlight

CAT. NO. 659515D



Operating Mode	Non-maintained
Nominal Input Voltage	230 - 240 V a.c. 50 Hz
Battery	4.8 V 4 Ah Ni-Cd
Power Consumption	5 W
Lumen Output	2 x 580 lm
Inrush Current	10 A peak
Light Source Life (LSL)	100,000 hrs
Body Construction	Polycarbonate
Operating Temperature	10° C to 40° C
Ingress Protection Rating	IP65
Impact Protection Rating	IK07
Product Weight	2.5 kgs
Compliance	AS/NZS 2293, AS/NZS 60598
Product Marking	  

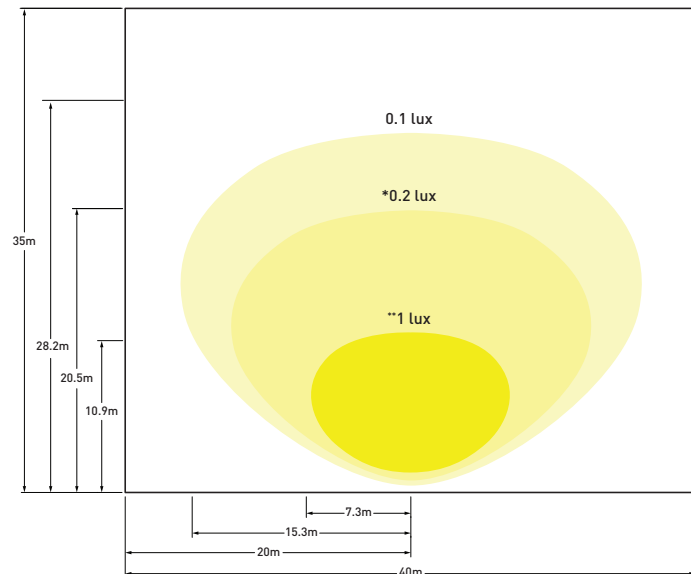
# Twin LED Spotlight

CAT. NO. 659515D



## FEATURES

- LED Spotlight for non maintained emergency lighting applications.
- Ideal for commercial applications such as car parks and sports venues.
- Energy efficient LED lamp technology.
- Easy to install.
- DALI monitored.
- Designed and Manufactured in Australia.

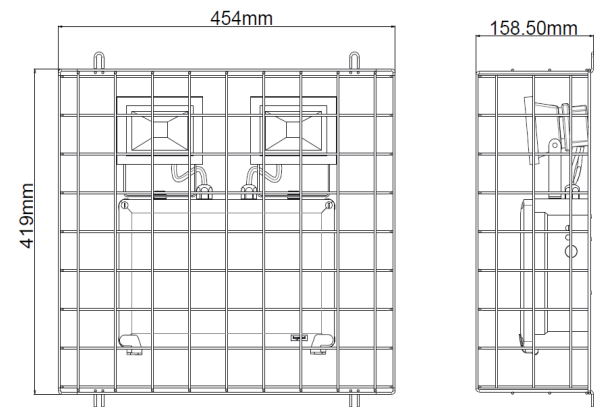
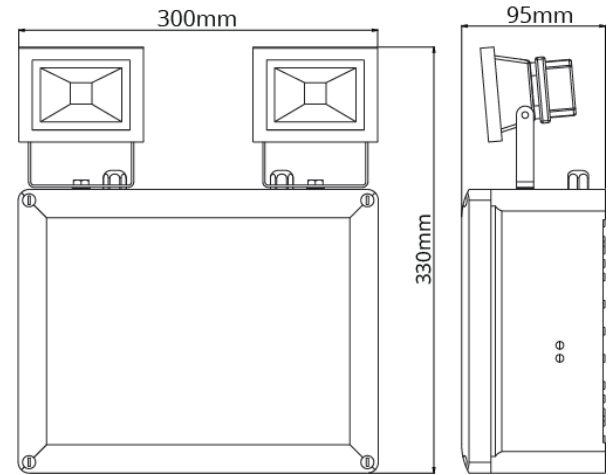


- Luminaire is mounted 5m above floor on one wall.
- Spotlights have a 90 degree tilt angle (straight out from fitting)
- A maintenance factor of 1.0 is applied to all luminaires.
- Illuminance measurements are at ground level.
- This design is to be used as a guide only and should not be used for compliance. A dedicated lighting design will need to be done for every application.

\*0.2 lux corresponding to Australian lighting standards.

\*\*1 lux corresponding to New Zealand lighting standards.

## DIMENSIONS



Cat. No.	Description
<b>DALI</b>	
659515D	Twin LED Spotlight, IP65 - Ni-Cd
<b>Accessory</b>	
682369	Wire Guard - White

Legrand Australia  
1300 369 777  
www.legrand.com.au  
ABN 31 000 102 661

Legrand New Zealand  
0800 476 009  
www.legrand.co.nz

Refer to your group buying office, Legrand Sales Representative or Legrand Sales Office for pricing.

Please note: specifications are subject to change without prior notice.

LEG2470B

03\_2021