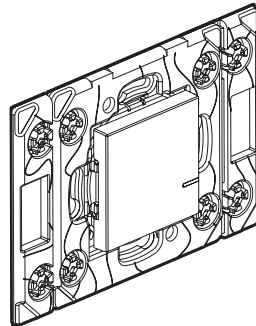


Arteor™

Connected 1-gang ON/OFF wireless control for lighting and socket outlets



1. USE

Wireless control for ON/OFF light function or connected socket outlet.

Controls micromodule products, connected socket outlets and connected dimmer switches.

Can be used as a two-way switch or to control a lighting group.

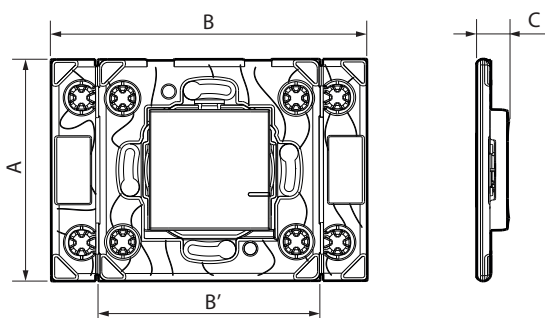
- Fixes directly on the wall or screws onto a flush-mounting box.
- Fits on a piece of furniture (movable).

Can be combined with 20 connected light switches with dimming option, connected socket outlets or micromodules.

2. RANGE

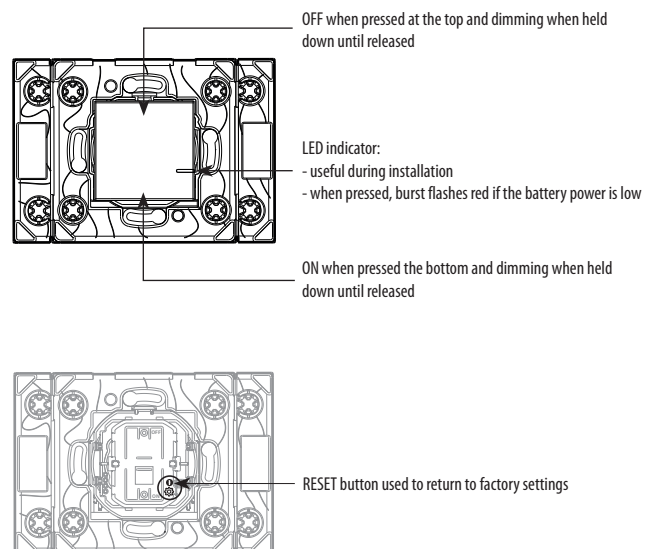
Description	White	Champagne	Magnesium	Soft Alu
Wireless lighting and socket outlets control, for an ON/OFF, dimmer, centralisation function. Supplied with secable support frame, rocker plate and a battery. Equipped with an LED indicator (configuration) and a RESET button (hidden) used to return to factory settings. Repositionable self-adhesive fixings (x 4 supplied).	5 742 05	5 742 32	5 742 23	5 742 14

3. DIMENSIONS (mm)



A	B	B'	C
82	116.5	82	12

4. OPERATION



Arteor™

Connected 1-gang ON/OFF wireless control for lighting and socket outlets

5. TECHNICAL CHARACTERISTICS

■ 5.1 Mechanical characteristics

Protection against impacts: IK 02

Protection against solid bodies and/or liquids: IP 20

IP 40 mounted product

■ 5.2 Material characteristics

Rocker plate: ABS

Mechanism casing with grid: Fibreglass-reinforced (10%) PC

Halogen-free

UV resistant

Self-extinguishing: 650° C / 30 s

■ 5.3 Electrical characteristics

Powered by a CR2032 - 3 V lithium battery (supplied)

Battery life: 8 years for 10 activations a day

ZigBee radio technology frequency: 2.4 GHz to 2.4835 GHz

Wireless mesh network, self-adaptive and secure (AES 128), conforming

to standard IEEE 802.15.4 (LR-WPAN)

Power level: < 100 mW

■ 5.4 Climate characteristics

Storage temperature: 0° C to + 45° C

Usage temperature: +5° C to + 45° C

6. CARE

Clean the surface with a cloth.

Do not use acetone, tar-removing cleaning agents or trichloroethylene.

Resistant to the following products: Hexane (EN 60669-1), methylated spirit, soapy water, diluted ammonia, bleach diluted to 10%, window-cleaning products, pre-impregnated wipes.

Caution: Always test before using special cleaning products.



Take care to recycle the battery appropriately.

7. STANDARDS AND APPROVALS

The undersigned, LEGRAND, declares that the radio-electric equipment type (5 742 05/14/23/32) complies with directive 2014/53/EU.

The full text of the EU declaration of conformity is available on the following website: www.legrandoc.com