

# FREEZER SUPER LED SATELLITE

DESIGNED FOR FREEZER, COOL ROOMS AND  
APPLICATIONS REQUIRING REMOTE GEAR



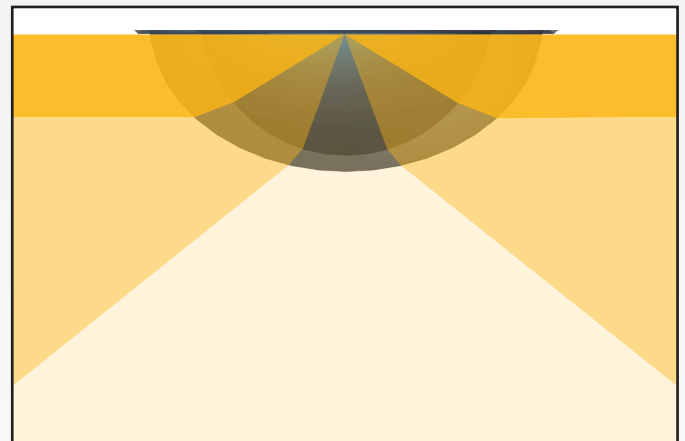
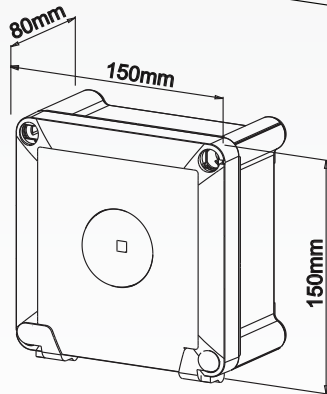
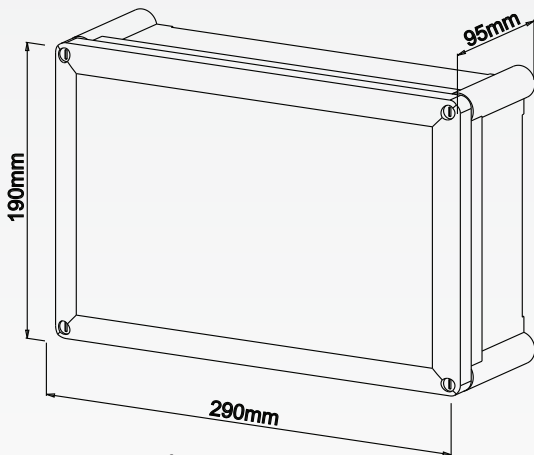
# FREEZER SUPER LED SATELLITE

DESIGNED FOR FREEZER, COOL ROOMS AND APPLICATIONS REQUIRING REMOTE GEAR

- Suitable to small, large areas and high ceilings
- Cool and Freezer room applications
- -40°C to 25°C for LED head
- 1°C to 25°C for remote gear
- One high Brightness LED
- iSmart™ temperature sensing technology for LIION battery
- D100 emergency classification
- Standalone or Galaxy options
- 3m cable included between Remote Gear and Head
- Surface mounted with remote gear
- IP65 Weatherproof
- IK07 impact rating
- 5 year warranty
- Manufactured in Australia

Cat No	Description
<b>Standalone</b>	
659517LI	Freezer Super LED Satellite LIION Grey Remote gear
<b>Galaxy</b>	
659087LI	Freezer Super LED Satellite LIION Grey Remote gear
<b>Accessories</b>	
659455	Freezer Super LED Satellite 10m extension cable

## DIMENSIONS



Dual refractive lens designed to achieve D100 classification

Legrand Australia  
1300 369 777  
www.legrand.com.au

Legrand New Zealand  
0800 476 009  
www.legrand.co.nz

