



Datasheet

Weatherproof LED Satellite

CAT. NO. 659019LI



Colour	Grey
Operating Mode	Non-maintained
Type	GALAXY
Nominal Input Voltage	230 - 240 V a.c. 50 Hz
Battery	Li-ion 6.4 V, 3.0 Ah
Power Consumption	2 W (Charge) / 0.7 W (Standby)
Inrush Current	5 A peak
Light Source Life (LSL)	100,000 hrs
Constructions (Lid/Box)	Transparent Polycarbonate / Polypropylene
Operating Temperature	10° C to 40° C
Lighting Classification	C ₀ /C ₉₀ D50
IP Rating	IP55
IK Rating	IK07
Compliance	AS/NZS 2293, AS/NZS 60598, AS CISPR 15
Product Marking	  R-NZ



Weatherproof LED Satellite

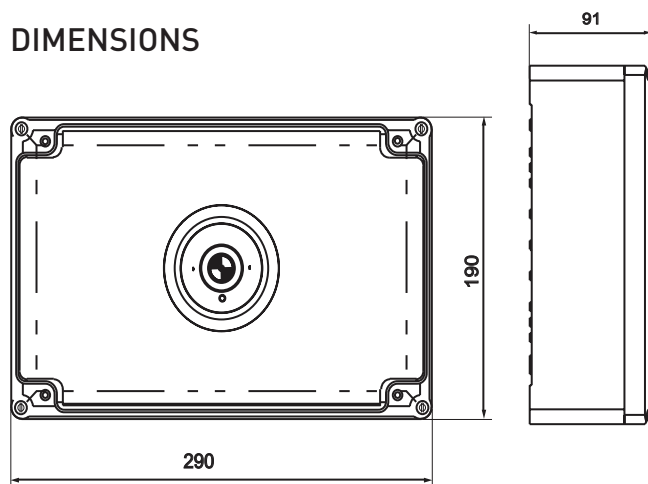
CAT. NO. 659019LI



FEATURES

- Embedded Bluetooth for smart device connectivity.
- Low Power Wide Area Network type of communications utilising the LoRa platform.
- LoRa communication to maximise reliability, coverage and infiltration.
- Suitable for exterior applications.
- iSmart™ temperature sensing technology for Li-ion battery.
- Electronics designed to lengthen the life of the battery.
- 5 Year Warranty.
- Designed and Manufactured in Australia.

DIMENSIONS



Note: All the dimensions are in mm.

Cat.No	Description
SPU	
659019LI	Weatherproof LED Satellite, D50, IP55, Li-ion

SPACING TABLE

Maximum spacings between luminaires for 0.2 lux (Australia)

Mounting Height (m)	2.7	3	3.3
Distance	14.8	16.5	18.1

As per AS/NZS 2293:2018

Maximum spacings between luminaires for 1 lux (New Zealand)

Mounting Height (m)	2.7	3	3.3
Distance	10.8	11.0	11.2

As per AS/NZS 2293:2018

Refer to your group buying office, Legrand Sales Representative or Legrand Sales Office for pricing.

LE11692AC

Legrand Australia
1300 369 777
www.legrand.com.au
ABN 31 000 102 661

Legrand New Zealand
0800 476 009
www.legrand.co.nz

Please note: specifications are subject to change without prior notice.

