

# Datasheet

## LED Satellite – Corridor

CAT. NO. 659011LI, 659012LI



No trim




Small round trim



Medium round trim



Square trim

Cat. No.	659011LI	659012LI
Finish	White	Black
Battery pack	Li-ion 6.4V, 3.0 Ah	
Operating Voltage	230 - 240 V a.c. 50 Hz	
Power Consumption	2 W	
Body Constructions	Polycarbonate	
Operating Temperature	10° C to 40° C	
IP Rating	IP20	
Compliance	AS/NZS 2293, AS/NZS 60598, AS/NZS 4268, AS CISPR 15	
Product Marking	 R-NZ	



# LED Satellite – Corridor



CAT. NO. 659011LI, 659012LI



- Embedded Bluetooth for smart device connectivity.
- Low Power Wide Area Network type of communications utilising the LoRa platform.
- LoRa communication to maximise reliability, coverage and infiltration.
- iSmart™ temperature sensing technology for the Li-ion battery.
- Electronics designed to lengthen the life of the battery, minimising maintenance costs.
- Environmentally friendly battery.
- Easy to install.
- Suitable for different hole sizes.
- One high Brightness LED.
- 5 Year Warranty.
- Designed and manufactured in Australia.

Cat. No.	Description	Classification C <sub>0</sub> /C <sub>90</sub>
<b>Galaxy</b>		
659011LI	Galaxy LED Satellite Flex and Plug White	D80/E16
659012LI	Galaxy LED Satellite Flex and Plug Black	D80/E16

Trim	Dimensions	Hole cut-out
No Trim	56mmØ	52mmØ
Small ring	80mmØ	52mm - 60mmØ
Medium ring	120mmØ	52mm - 85mmØ
Medium square	120 x 120mm	52mm - 85mmØ

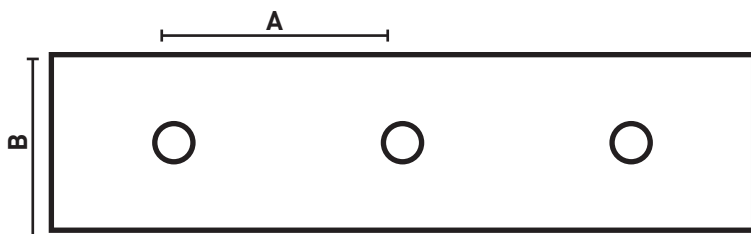
## Spacing table:

Maximum spacings between luminaires for 0.2 lux (Australia)

Mounting Height (m)	2.4	2.7	3	3.3	3.6	4.0
A	22.0	22.8	23.6	24.3	25.0	25.8
B	9.2	9.8	10.6	11.0	11.6	12.2

Maximum spacings between luminaires for 1 lux (New Zealand)

Mounting Height (m)	2.4	2.7	3	3.3	3.6	4.0
A	12.5	12.9	13.2	13.5	13.8	14
B	6.1	6.3	6.5	6.5	6.5	6.4



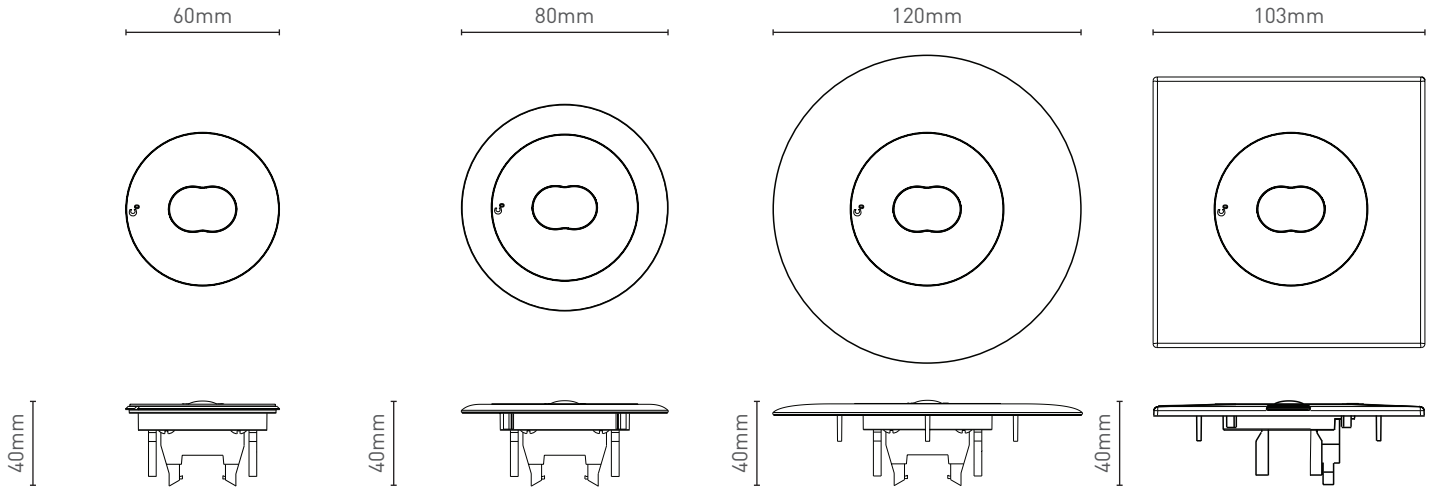
# LED Satellite – Corridor



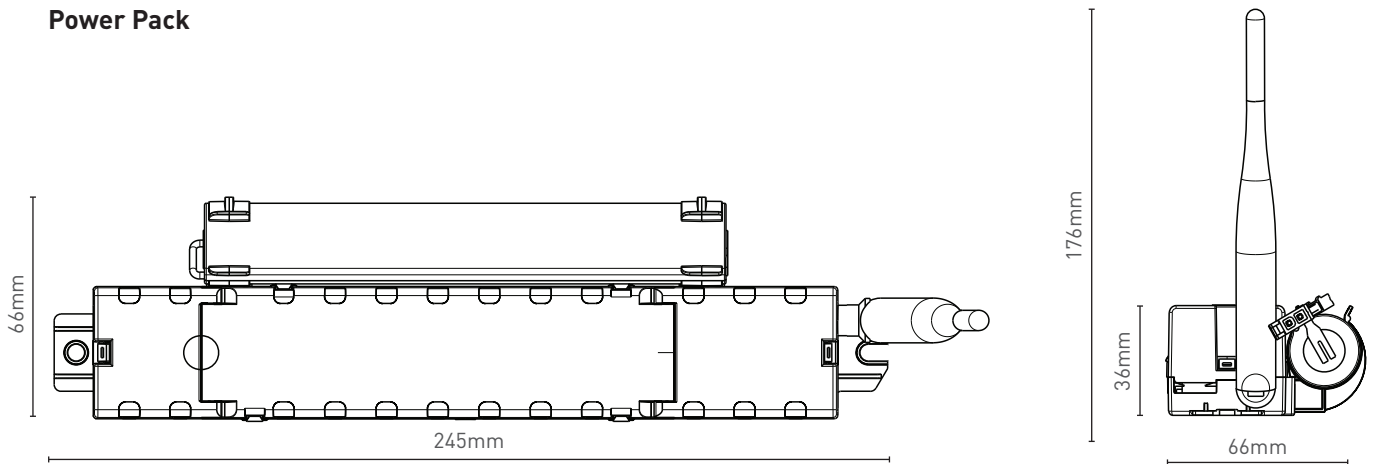
CAT. NO. 659011LI, 659012LI

## DIMENSIONS

### Fascia



### Power Pack



Legrand - Australia  
1300 369 777  
www.legrand.com.au  
ABN 31 000 102 661

Legrand - New Zealand  
0800 476 009  
www.legrand.co.nz

Refer to your group buying office, Legrand Sales Representative or Legrand Sales Office for pricing.

Please note: specifications are subject to change without prior notice.

