

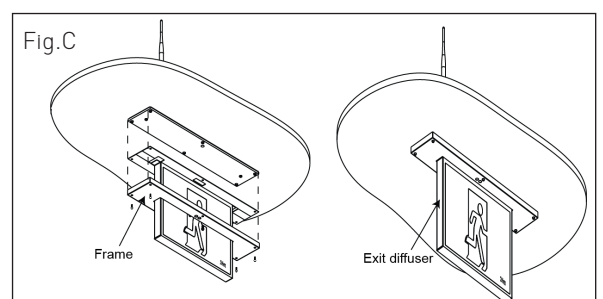
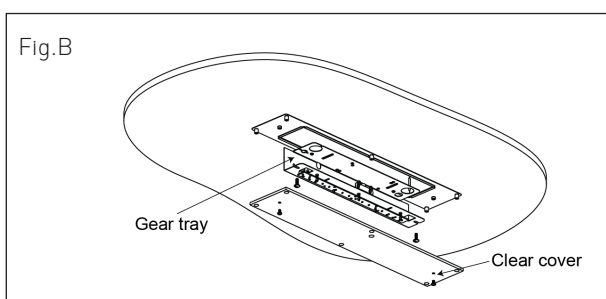
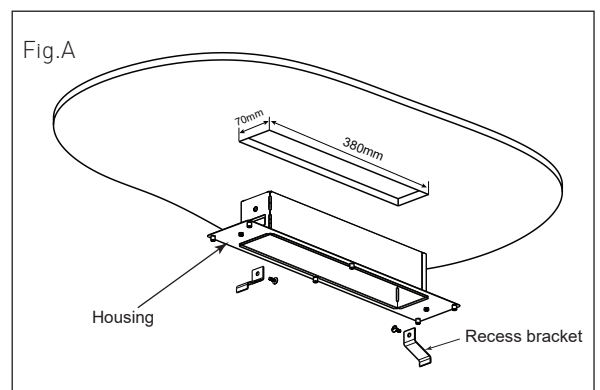
**Specifications**

Supply Voltage	230 - 240 V a.c. 50 Hz
Power Input	4 W

**Note:** This product is configured for maintained operation only.

**1. Recessed versions**

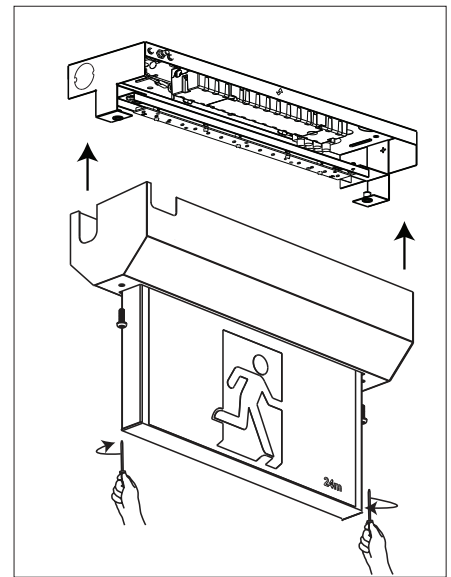
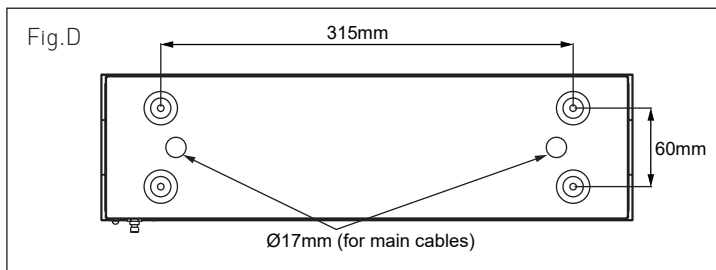
1. Unscrew and remove the 6 x Anti-tamper Resitork screws (Size: T20 driver bit)
2. Remove the frame, unscrew and remove the clear cover.
3. Cut the ceiling as shown, fit the housing into the ceiling and fit th recess brackets into position (Fig.A).
4. Connect the mains supply to the gear tray.
5. For DALI models, connect the two DALI wires to the DALI terminals.
6. Fit and screw the gear tray and clear cover into position (Fig.B).
7. Fit the frame containing the exit diffuser and screw the 6 x Anti-tamper Resitork screws back into position (Fig.C).



**NOTE:** Make sure that the orientation of the LED indicators in the base is aligned with the holes in the frame containing exit diffuser. To access the test switch in this model the frame needs to be removed first and then test switch can be accessed.

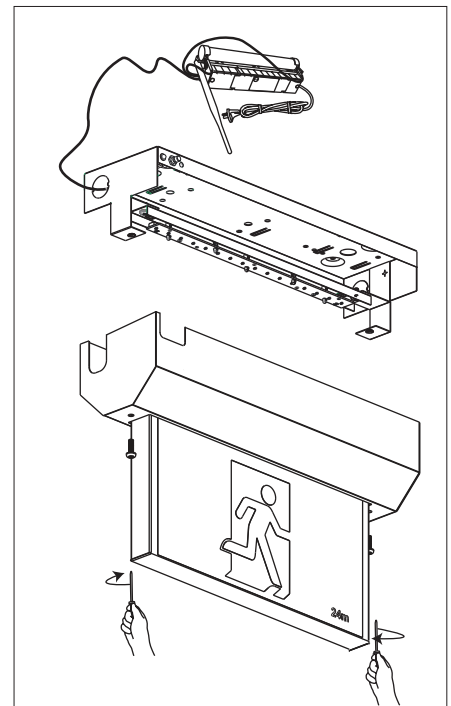
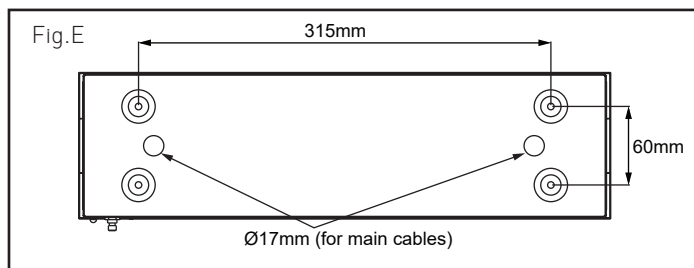
## 2. Surface Mount version

1. Unscrew and remove the 2 x Anti-tamper Resitork screws (Size: T25 driver bit).
2. Remove the trim and diffuser from the base.
3. Feed the mains cable through the base and connect the mains supply.
4. For DALI models, connect the two DALI wires to the DALI terminals.
5. Install the base to the ceiling using suitable screws in the mounting positions. (Fig.D)
6. Fit the diffuser to the base using the screw provided.

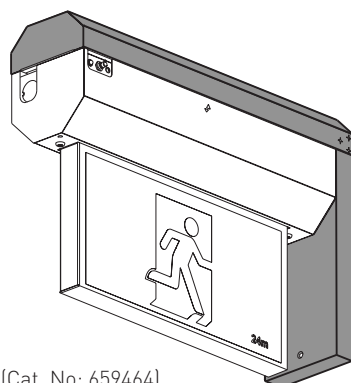


### 2.1 Surface Mount version with Remote gear

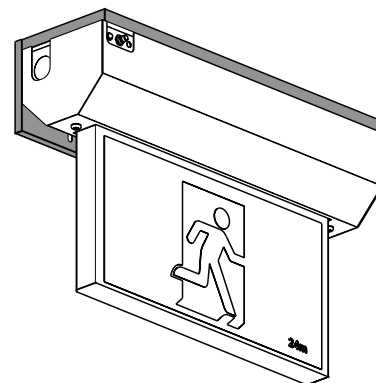
1. Unscrew and remove the 2 x Anti-tamper resitork screws (Size: T25 driver bit).
2. Remove the trim and exit diffuser from the base.
3. Feed the remote gear cable from the side of the base or through 25mm conduit and connect the flex and plug to mains supply.
4. Install the base to the ceiling using suitable screws in the mounting positions. (Fig.E)
5. Fit the diffuser to the base using the screw provided.



## 3. Wall Mounting Accessories



L-bracket (Cat. No: 659464)



Wall bracket (Cat. No: 659465)