

Datasheet

Securit LED




CAT. NO. 684770/LI, 684771/LI, 684772/LI, 684773/LI, 684774/LI, 684775/LI, 684776/LI, 684777/LI, 684778/LI, 684779/LI, 684780/LI, 684781/LI, 684782/LI, 684783/LI, 684784/LI, 684785/LI, 684786/LI, 684787/LI, 684788/LI, 684789/LI



684770/LI



684775/LI

Operating Mode	Maintained
Nominal Input Voltage	230 - 240 V a.c. 50 Hz
Battery	Li-ion 6.4 V 0.57 Ah
Inrush Current	5 A peak
Power Consumption	4 W
Light source Life (LSL)	50,000 hrs
Operating Temperature	10°C to 40°C
Body Construction	Zinc Coated Steel finished in White Powder Coated
Diffuser Construction	Unbreakable flexible Thermo plastic
Fixing screws	Anti-tamper Resitork
IP Rating	IP20
IK Rating	IK06
Product Weight	1.9 Kgs (Surface Model) 2.2 Kgs (Recess Model)
Compliance	AS/NZS 2293, AS/NZS 60598
Product Marking	 



CAT. NO. 684770/LI, 684771/LI, 684772/LI, 684773/LI, 684774/LI, 684775/LI, 684776/LI, 684777/LI, 684778/LI, 684779/LI, 684780/LI, 684781/LI, 684782/LI, 684783/LI, 684784/LI, 684785/LI, 684786/LI, 684787/LI, 684788/LI, 684789/LI

FEATURES

- Unbreakable flexible thermo plastic diffuser.
- Diffuser cannot be used as a weapon if dislodged.
- Anti-tamper Resitork screws to prevent removal of the unit.
- Thick 6mm polycarbonate panel to prevent entry to electronic components and LEDs.
- Simple to install with quick connect terminal block.
- iSmart™ temperature sensing technology for the Li-ion battery.
- Electronics designed to lengthen the life of the battery, minimising maintenance costs.
- 5 Year Warranty
- Designed and Manufactured in Australia.

SPACING TABLE

Maximum Spacing between luminaires for 0.2 lux (Australia)						
Mounting Height (m)	2.1	2.4	2.7	3.0	3.3	3.6
C ₀ : E1.25	4.1	4.1	0.0*	0.0*	0.0*	0.0*
C ₉₀ : E1	3.7	0.0*	0.0*	0.0	N/A	N/A

As per AS/NZS 2293:2018

* - exit sign satisfies the requirement to illuminate the doorway or potential hazard, however without a spacing for this mounting height as per AS/NZS 2293:2018 clause 4.5.

N/A - exit sign without a spacing when installed at this mounting height.

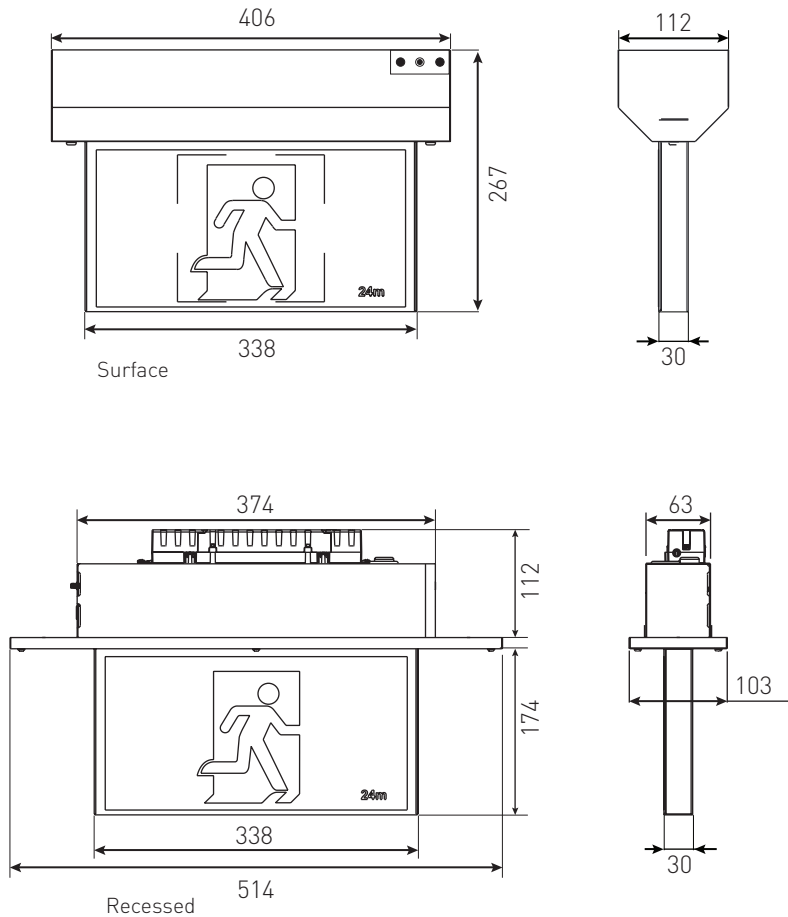
Note: For 1.0 lux (New Zealand), this exit sign has no spacing when installed at these mounting heights.

Securit LED



CAT. NO. 684770/LI, 684771/LI, 684772/LI, 684773/LI, 684774/LI, 684775/LI, 684776/LI, 684777/LI, 684778/LI, 684779/LI, 684780/LI, 684781/LI, 684782/LI, 684783/LI, 684784/LI, 684785/LI, 684786/LI, 684787/LI, 684788/LI, 684789/LI

DIMENSIONS



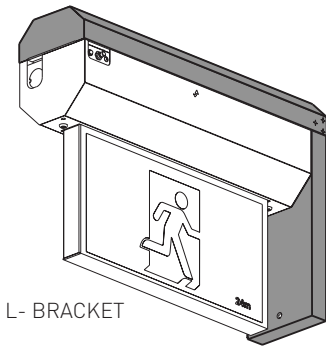
Cat. No.	Description
STANDALONE	
684770/LI	SECURIT LED SS RM
684771/LI	SECURIT LED SS RML
684772/LI	SECURIT LED SS RMR
684773/LI	SECURIT LED DS RM
684774/LI	SECURIT LED DS RML/R
SURFACE MOUNTED	
684775/LI	SECURIT LED SS RM
684776/LI	SECURIT LED SS RML
684777/LI	SECURIT LED SS RMR
684778/LI	SECURIT LED DS RM
684779/LI	SECURIT LED DS RML/R
AXIOM - RECESSED	
684780/LI	SECURIT LED SS RM
684781/LI	SECURIT LED SS RML
684782/LI	SECURIT LED SS RMR
684783/LI	SECURIT LED DS RM
684784/LI	SECURIT LED DS RML/R
AXIOM - SURFACE MOUNTED	
684785/LI	SECURIT LED SS RM (Wired only)
684786/LI	SECURIT LED SS RML (Wired only)
684787/LI	SECURIT LED SS RMR (Wired only)
684788/LI	SECURIT LED DS RM (Wired only)
684789/LI	SECURIT LED DS RML/R (Wired only)
ACCESSORIES	
659464	L- BRACKET- White
659465	WALL BRACKET- White

RM = Running Man Straight, RML = Running Man Left, RMR = Running Man Right
DS = Double sided, SS = Single sided,

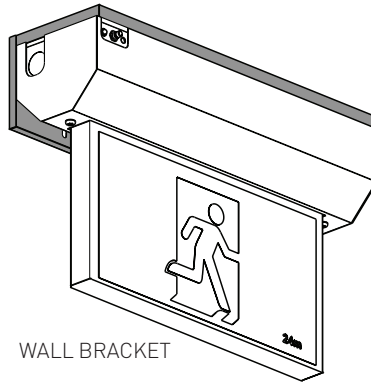
Note: All the dimensions are in mm.

CAT. NO. 684770/LI, 684771/LI, 684772/LI, 684773/LI, 684774/LI, 684775/LI, 684776/LI,
684777/LI, 684778/LI, 684779/LI, 684780/LI, 684781/LI, 684782/LI, 684783/LI,
684784/LI, 684785/LI, 684786/LI, 684787/LI, 684788/LI, 684789/LI

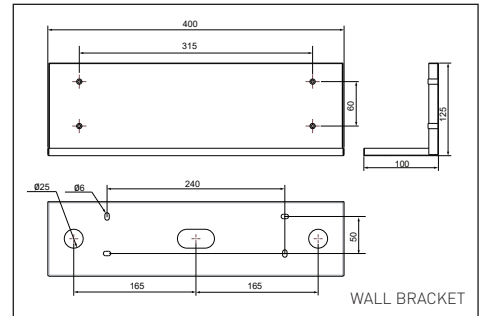
ACCESSORIES



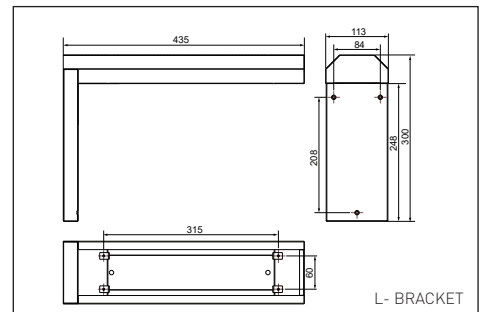
L- BRACKET



WALL BRACKET



WALL BRACKET



L- BRACKET

Note: All the dimensions are in mm.

Legrand Australia
1300 369 777
www.legrand.com.au
ABN 31 000 102 661

Legrand New Zealand
0800 476 009
www.legrand.co.nz

Refer to your group buying office, Legrand Sales Representative or Legrand Sales Office for pricing.

Please note: specifications are subject to change without prior notice.

