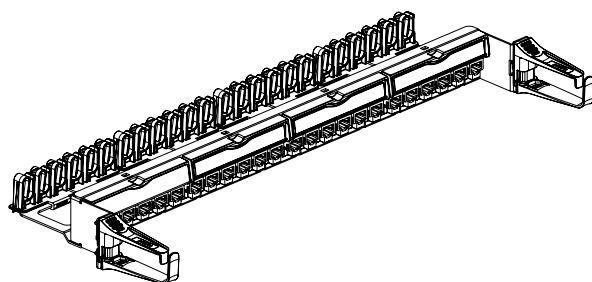


LCS² RJ 45 Cat. 6A HD panels and units

Cat. No.(s): 0 335 85/86



0 335 85/86

CONTENTS

Page

1. General characteristics	1
2. Presentation	1
3. Positioning	1
4. Technical characteristics	1
5. Installation	2
6. Dimensions	2
7. Standard RJ 45 connection	2
8. Standards and approvals	3
9. Performance	3

1. GENERAL CHARACTERISTICS

Universal mounting on any cabinet or enclosure.
Panels ensure automatic earthing of each connector.
The patch panels are 19" format - 1U.

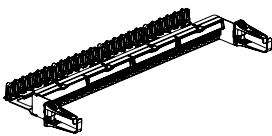
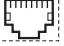
They are equipped with:

- 4 units of 6 quick-fixing RJ 45 Cat. 6A connectors (no tools required), with 568 A/B marking
- Soluclip accessory for automatic fixing (without screws) to the uprights in cabinets and enclosures
- Rear cable guide to hold cables during maintenance

Does not require a cable management panel.

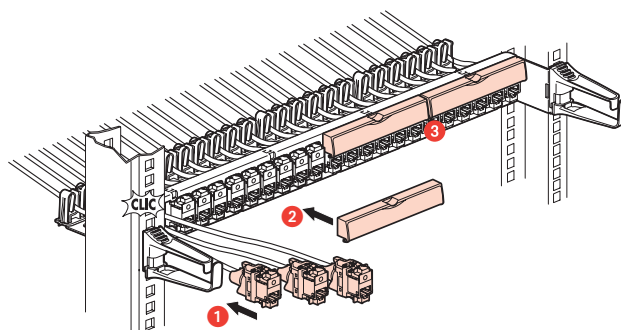
Supplied with colour labels numbered 1 to 24.

2. PRESENTATION

Description	STP	Weight (g)
 Panel - 24 x RJ 45 Cat. 6A	 0 335 85 0 335 86	1620

3. POSITIONING

No special tool is required to connect the connectors.



- Connector simply snaps onto the front of the panel
- Fastening of the label holder faceplate ensures a neat finish for the 6 connectors

No need for cable ties: the cable is held in place in the cable guide.

4. TECHNICAL CHARACTERISTICS

4.1 Characteristics of the materials

Panel: DC01 galvanised sheet steel

Unit: RAL 9005 polycarbonate

Connector:

- Contacts: gold/nickel, thickness of gold > 0.8 μm minimum
- Metal parts: bronze, nickel, platinum, gold
- Polycarbonate PBT

For the STP modules the body and the spreader are made of metal alloy with copper and nickel coating.

The STP connectors have a steel ring for 360° earthing.

4.2 Electrical characteristics

Breakdown voltage ≥ 1000 V

Contact resistance ≤ 20 mΩ

Insulation resistance ≥ 500 MΩ at 100 Vdc

Connector tested and guaranteed under POE signal stress, standard IEEE 802.3af and POE+, standard 802.3at, up to 2500 load connections/disconnections.

Tests are carried out with 2 simultaneous POE+ circuits for a minimum total power of 50W.

4. TECHNICAL CHARACTERISTICS *(continued)*

4.3 Mechanical characteristics

Maximum number of connections and disconnections: 5 without replacing the wire

Endurance: 2500 operations (plug-in/pull-out)

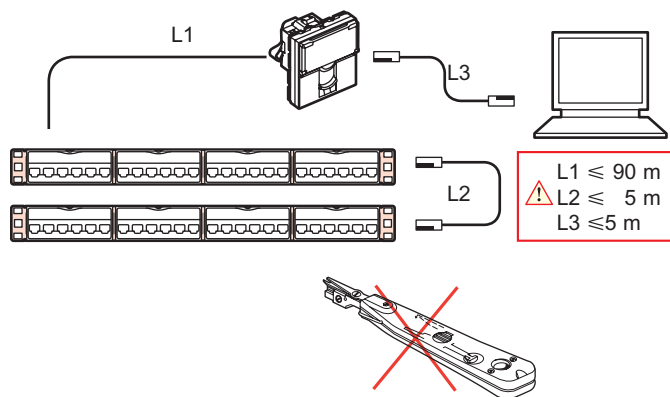
IK03

4.4 Climatic characteristics

Operating temperature: - 40°C to + 70°C

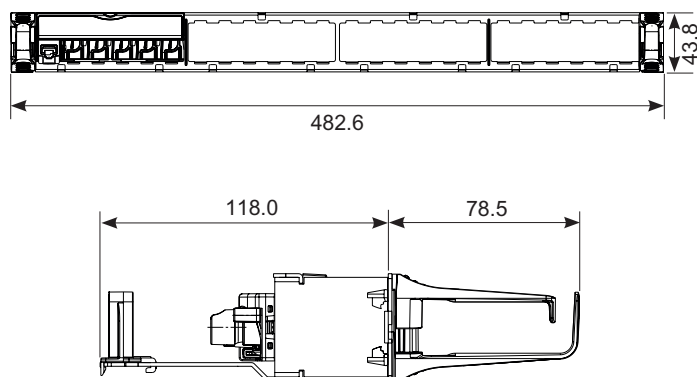
Damp heat: 21 day cycle

5. INSTALLATION



6. DIMENSIONS

Patch panel Cat. No. 0 335 85/86



7. STANDARD RJ 45 CONNECTION

Takes the following plugs:

RJ 11 (4 contacts), RJ 12 (6 contacts), RJ 45 (9 contacts).

EIA/TIA 568 A and B dual colour code on terminals:

- STP 9 contacts with 360° shielding ID no.: SB 63

Cat. 6A colour code: yellow



EIA 568 A

EIA 568 B

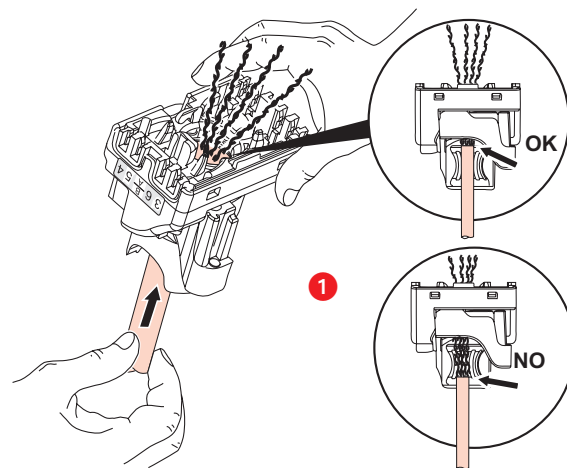
Permissible conductors:

- Single-core: 0.5 to 0.65 mm, AWG 22 to 26

- Multicore: AWG 26

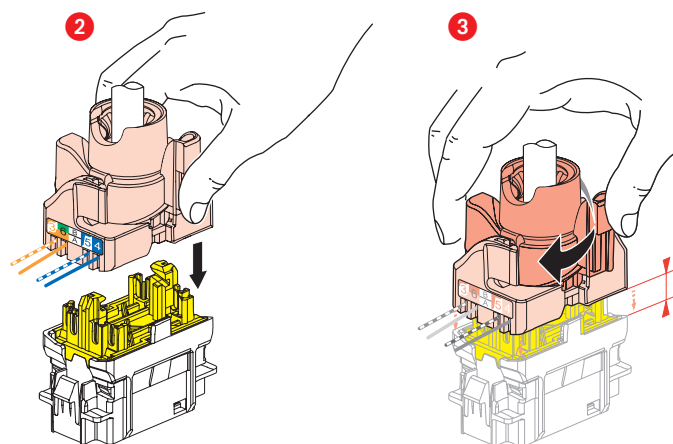
- Polyethylene conductor insulation: maximum Ø on insulation 1.58 mm

RJ 45 connectors are equipped with a locking nut. They do not require a special tool and can be re-wired if a mistake is made.



Simultaneous connection of the strands is thus assured.

This system allows you to spread pairs with ease before fitting them onto the connector.



7. STANDARD RJ 45 CONNECTION *(continued)*

Spreading the cables ensures that a pair-breakage distance of 13 mm is kept between each pair.
Spreading pairs at 90° to the cable ensures the best possible performance.

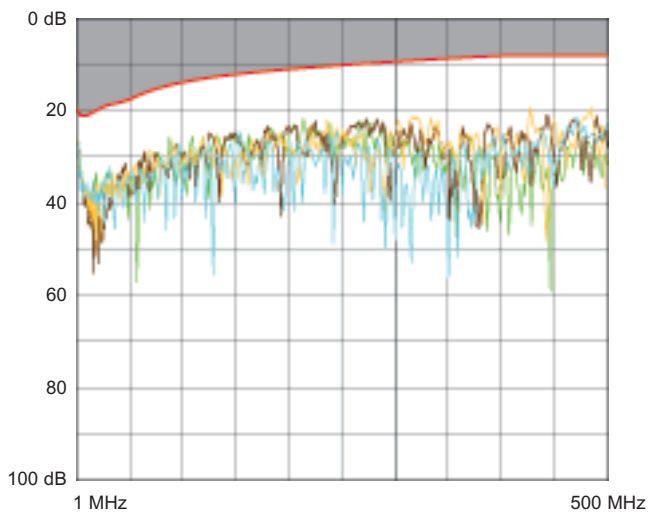
8. STANDARDS AND APPROVALS

Conforms to standards: ISO/IEC 11801
CENELEC EN 50173
ANSI/TIA 568 C.2
ISO/IEC 60603-7 series

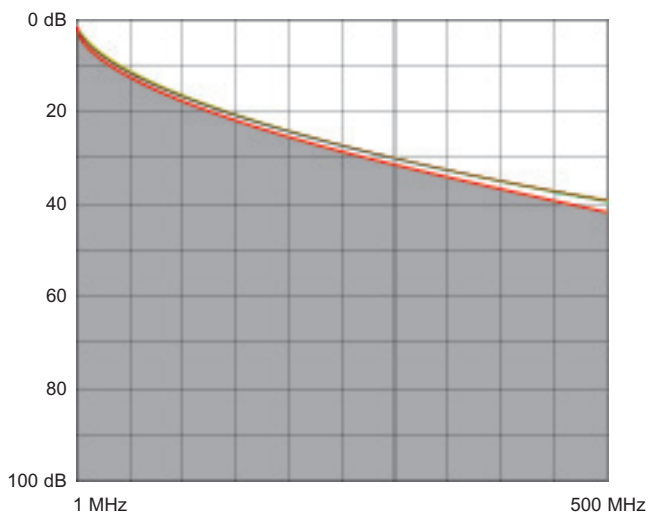
9. PERFORMANCE

9.1 Performance of permanent link with S/FTP cable

Return loss

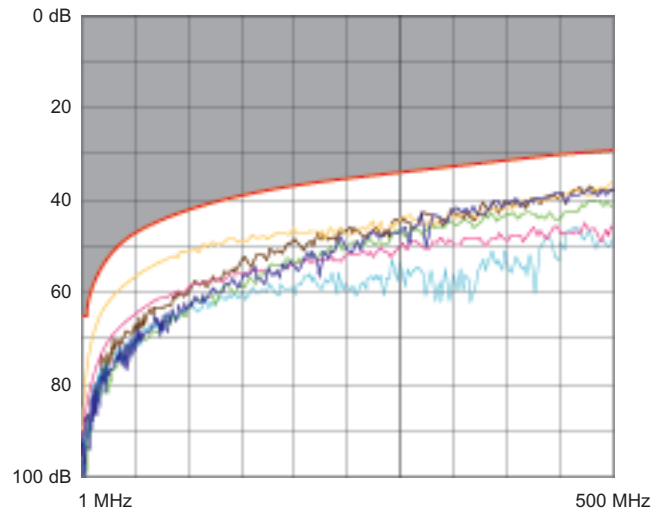


Attenuation

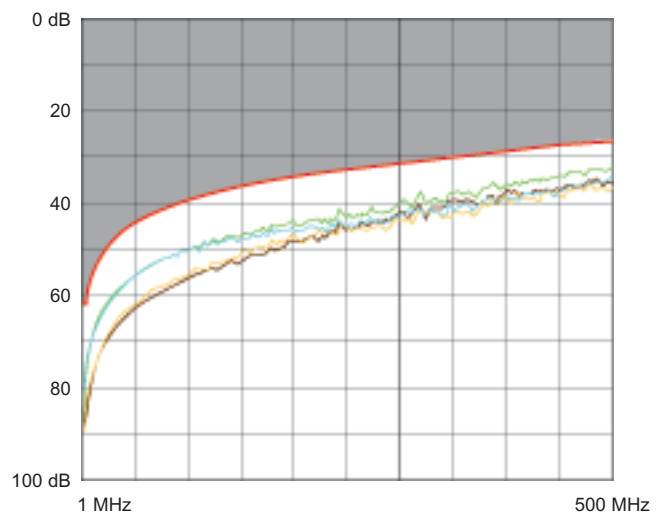


9. PERFORMANCE *(continued)*

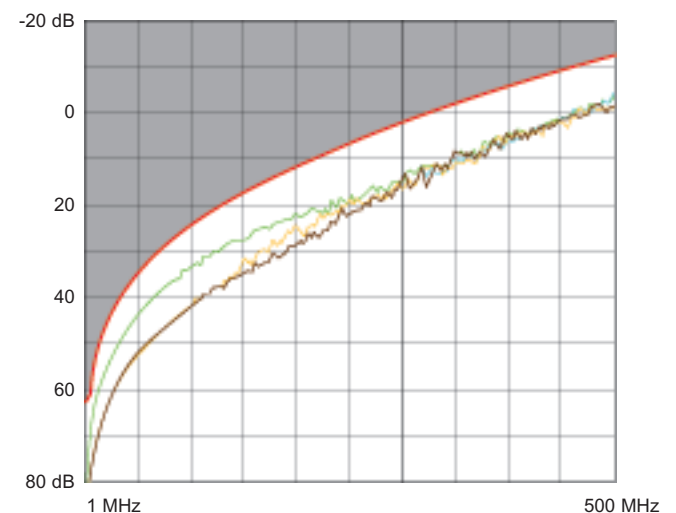
9.1 Performance of permanent link with S/FTP cable NEXT (Near end Crosstalk Attenuation)



PS NEXT (Power Sum NEXT)

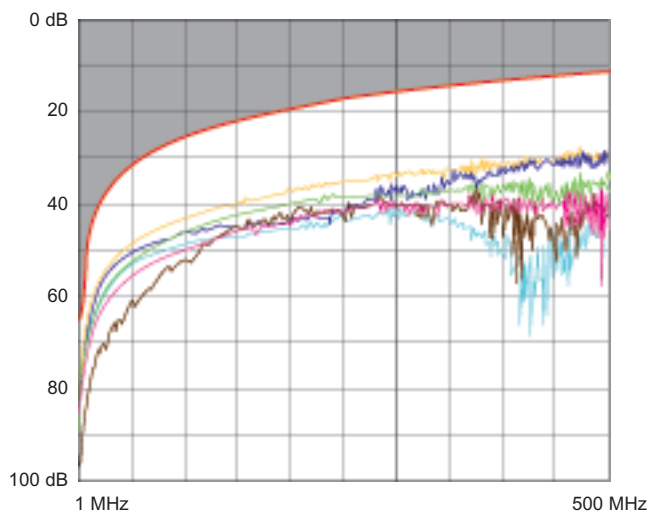


ACR (Attenuation to Crosstalk Ratio)

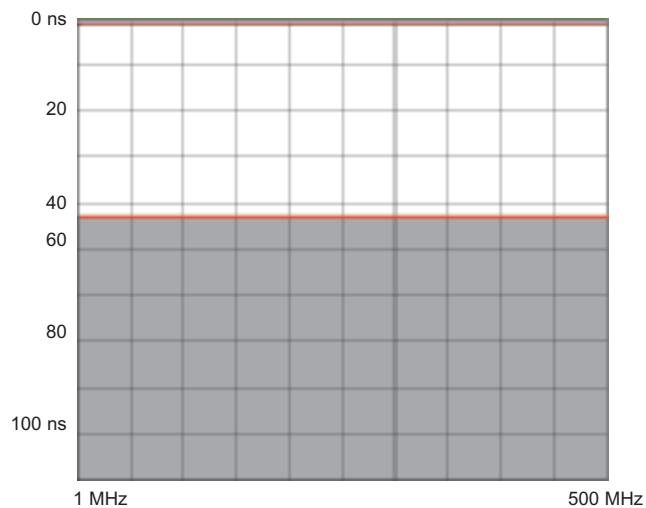


9. PERFORMANCE (continued)

9.1 Performance of permanent link with S/FTP cable (continued) ELFEXT (Equal Level End Crosstalk Attenuation)

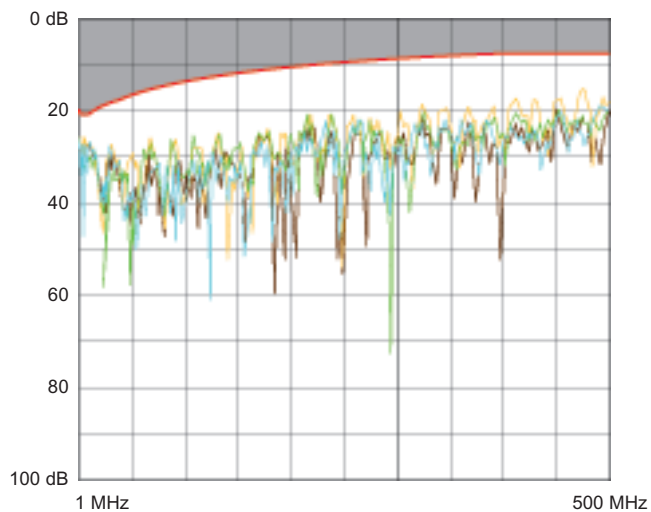


Delay skew

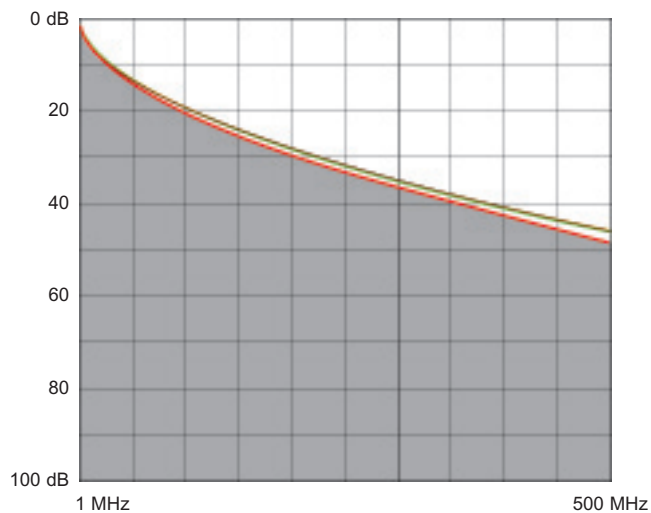


9. PERFORMANCE (continued)

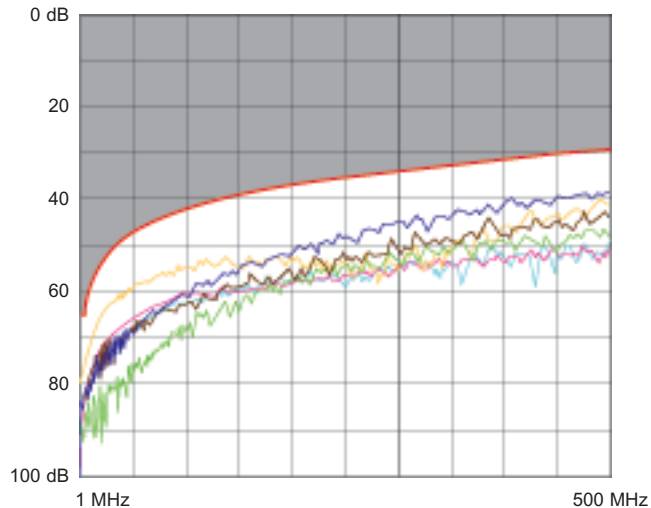
9.2 Channel performance Return loss



Attenuation

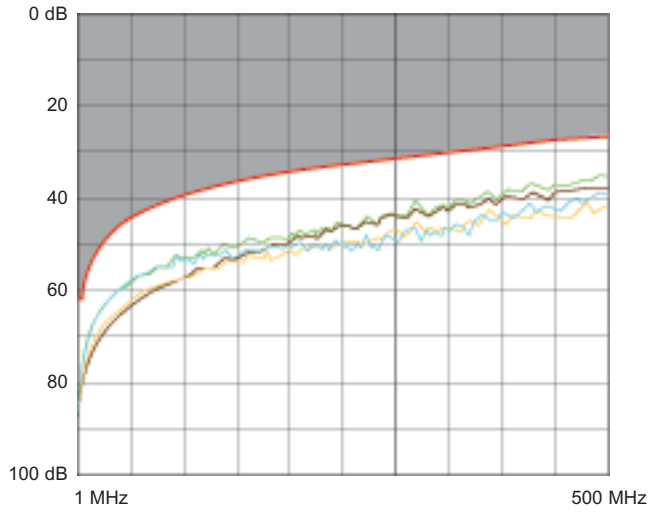


NEXT (Near end Crosstalk Attenuation)

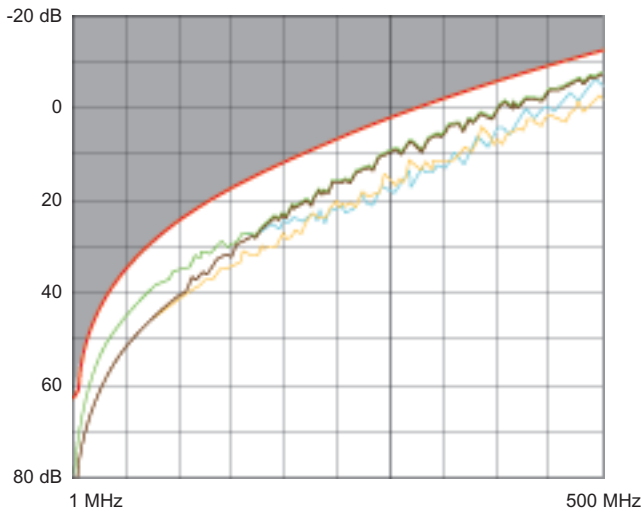


9. PERFORMANCE (continued)

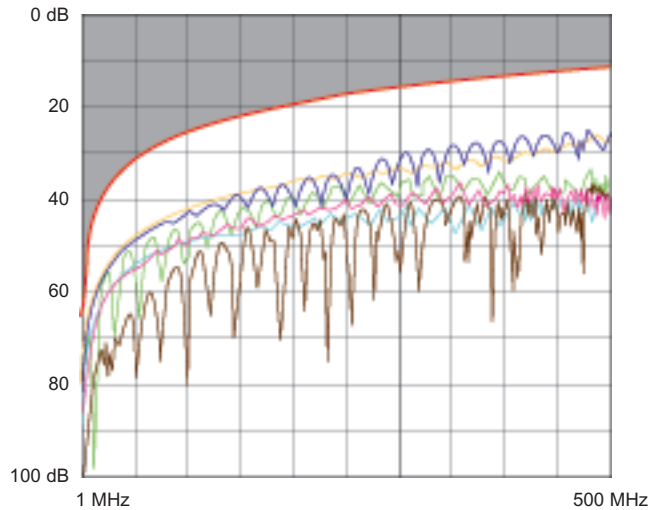
9.2 Channel performance (continued) PS NEXT (Power Sum NEXT)



ACR (Attenuation to Crosstalk Ratio)



ELFEXT (Equal Level End Crosstalk Attenuation)



9. PERFORMANCE (continued)

9.2 Channel performance (continued) Delay skew

