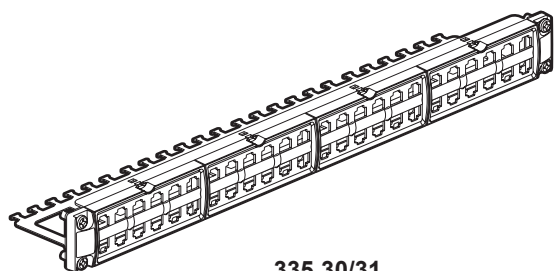
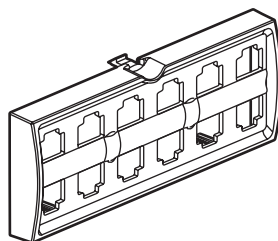


LCS²
Panels and modules for telephone inputs

Catalogue number(s): 335 30/31/32/33



335 30/31



335 32/33

CONTENTS

Page

1. General characteristics	1
2. Use scenarios	1
3. Technical characteristics	1
4. Installation	2
5. Overall dimensions	2
6. Usual connection of RJ45 sockets	2
7. Standards and approvals	3

1. GENERAL CHARACTERISTICS

The panels and modules ensure that RJ 45 sockets are available for phone lines.

They allow two types of connections:

- Digital telephone contacts 3-6 / 4-5
- Analogue telephone contacts 4-5 / 7-8

The panel is equipped with four 12-port modules.

The panel is supplied with:

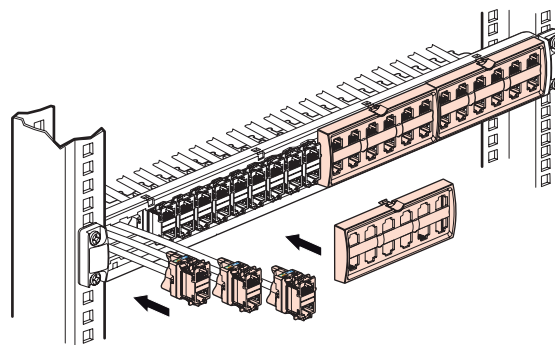
- 4 captive screws
- 4 universal cage nuts
- 1 label holder
- 6 blank labels
- Cable support included in panel

Each module houses 12 RJ45 connectors.

It is supplied with a set of labels.

2. USE SCENARIOS

The connectors are installed from the front side without the need for specific tools.



- Connectors are clipped individually onto the panel
- The label holder/faceplate ensures a perfect finish for the 6 connectors it covers.

3. TECHNICAL CHARACTERISTICS

3.1 Material characteristics

Panel: galvanized sheet steel DC01

Module: RAL 9005 polycarbonate

Connectors:

- Contacts: gold/nickel, thickness of gold > 0.8 µm min.
- Metal parts: bronze, nickel, platinum, gold
- PBT polycarbonate

3.2 Electrical characteristics

Breakdown voltage ≥ 1000 V

Contact resistance ≤ 20 mΩ

Insulation resistance ≥ 500 MΩ at 100 V DC

Resistance to POE signal up to 50 W

3.3 Mechanical characteristics

Max. number of connections and disconnections: 5 without refreshing the cable

Endurance: 2500 movements (plug insertion/withdrawal)

IK03

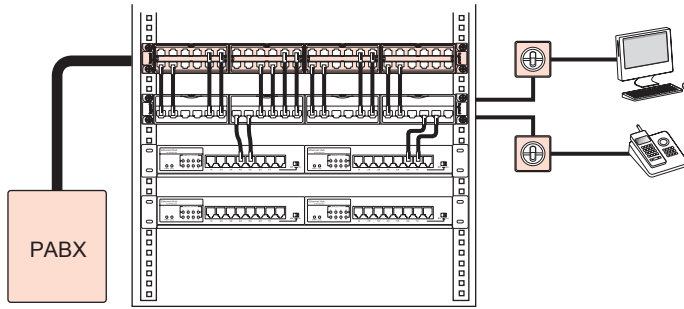
3.4 Climatic characteristics

Operating temperature: -40°C to +70°C

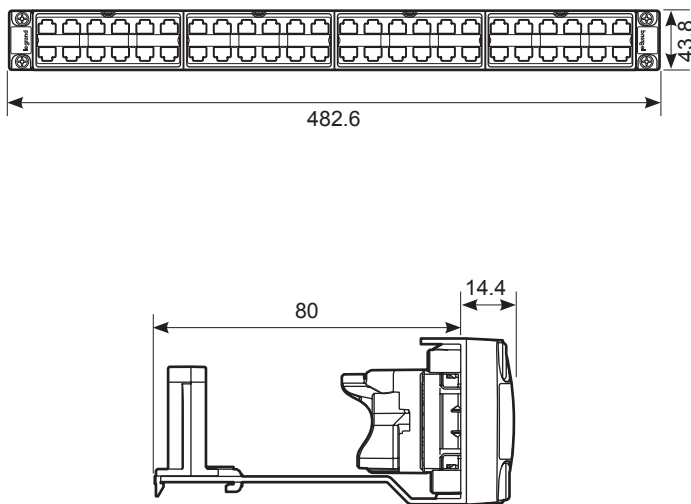
Humid heat cycle 21 days

	Designation	Cat. No.	Weight (g)
	48-port RJ 45 panel 4-5 / 7-8	335 30	780
	48-port RJ 45 panel 4-5 / 7-8	335 31	
	12-port RJ45 module 4-5 / 7-8	335 32	85
	12-port RJ45 module 3-6 / 7-8	335 33	

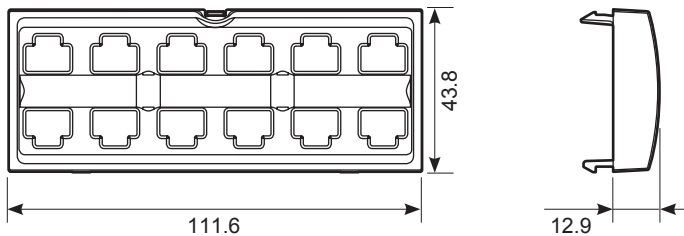
4. INSTALLATION



5. OVERALL DIMENSIONS

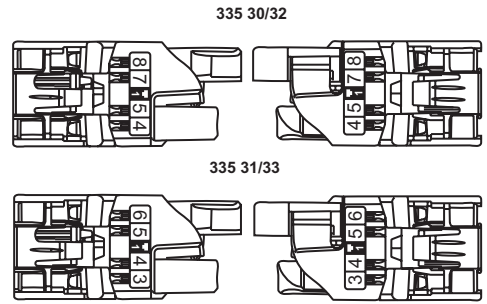


Patch panel Cat. No. 335 30/31
 Module Cat. No. 335 32/33



6. USUAL CONNECTION OF RJ45 SOCKETS

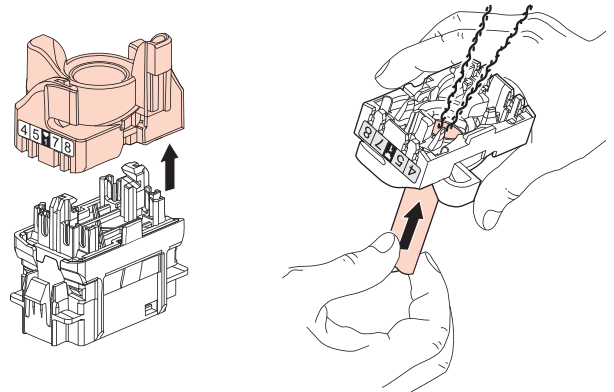
Accepts RJ45 plugs (9 contacts).



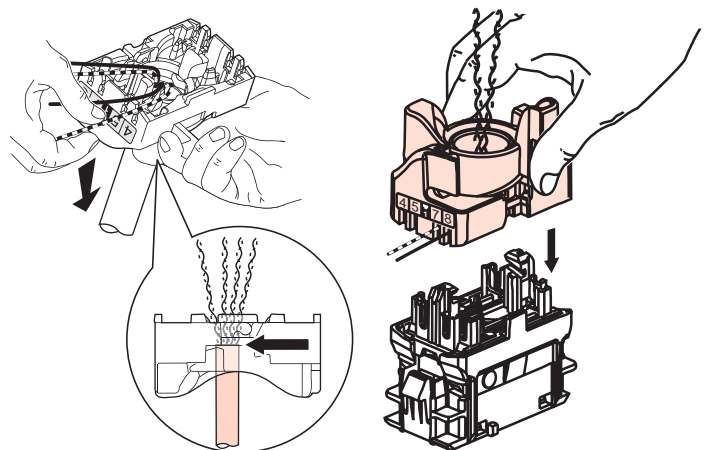
- Conductors supported:
- Single-strand: 0.5 to 0.65 mm, AWG 22 to 24
 - Multi-strand: AWG 26 to 27
 - Polyethylene conductor insulation: max. Ø with insulation 1.58 mm

Number of wires to connect per connection: 1

The RJ45 connectors are equipped with a rotating locking system that does not require special tools and enables rewiring in the event of error.



This system allows the wire pairs to be spread easily before attaching them to the connector.



Spreading the wires ensures that pairs are separated by the required 13 mm. Spreading the pairs at 90° in relation to the cable ensures the best performance levels.

Panels and modules for telephone inputs

7. STANDARDS AND APPROVALS

Connector tested and guaranteed to support POE signals, standard IEEE 802.3af and POE+, draft standards 802.3at, up to 2500 connections and disconnections with load.

Tests are carried out with 2 simultaneous POE+ circuits producing a minimum total power of 50W.

RoHS compatible.